

Cross Section Drawing

C700 Half Vent or Single Vent Above Picture Window 1 3/8" Fin Setback, Accessory Groove Filler

MILGARD
WINDOWS and DOORS

CAD File Scale
NTS

View
Horizontal & Vertical

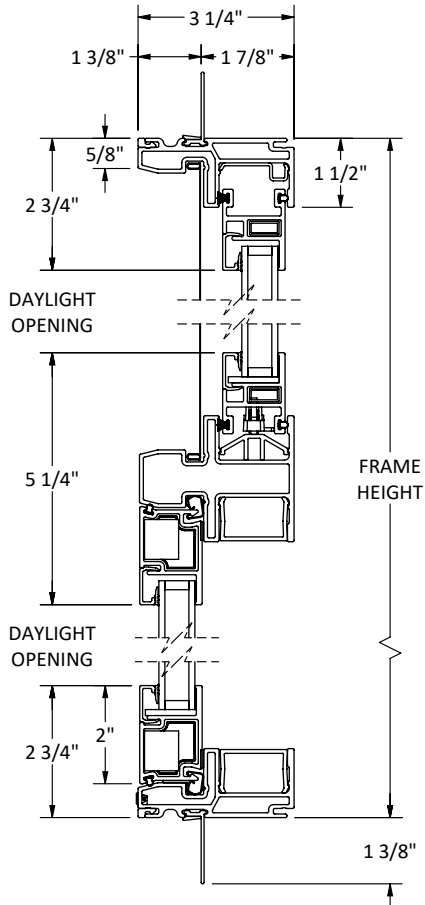
File name
C700_12110_HVA_1.375_IN_ACCESSORY_FILLER

Units
Inch

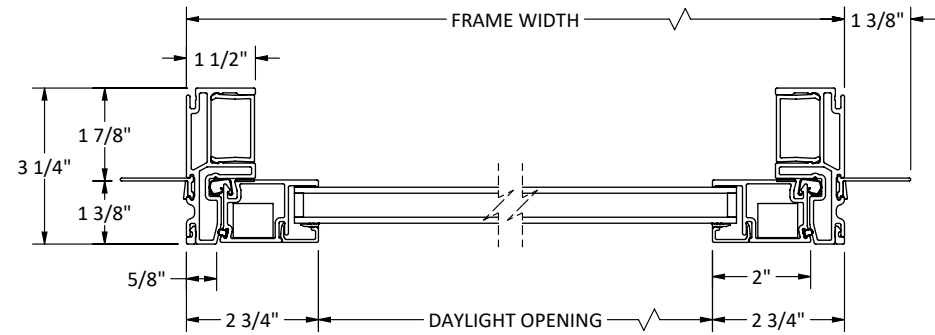
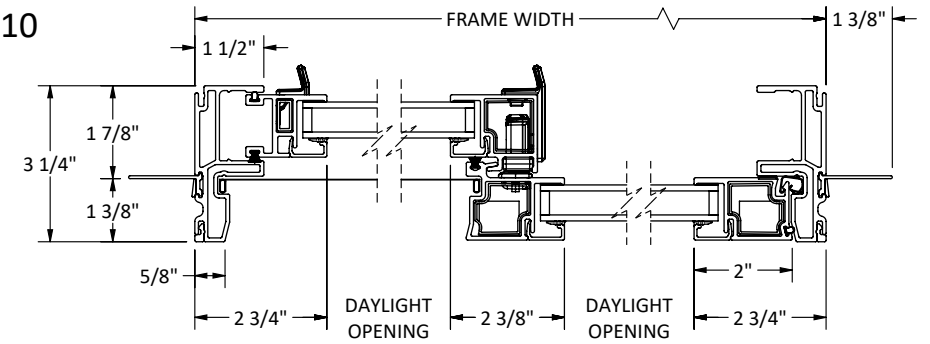
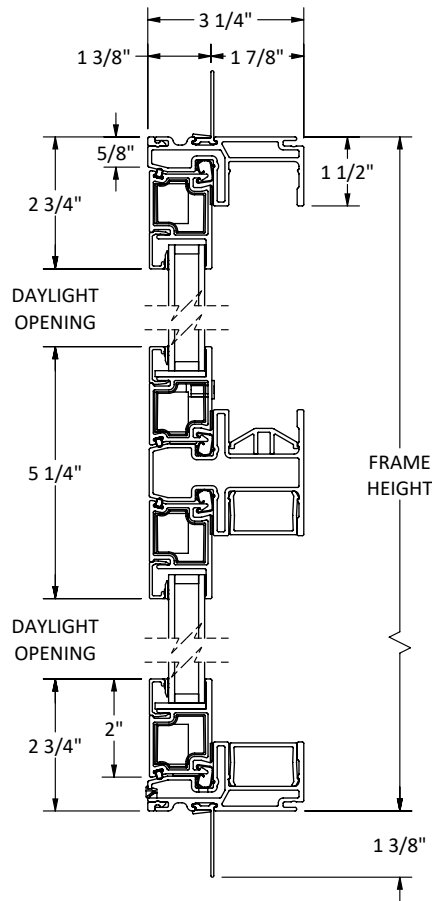
Date
03/2025

More Technical Documents can be found at milgard.com/professionals
Due to continual research and development, details may be changed at any time. (C) 2023 Milgard Mfg.

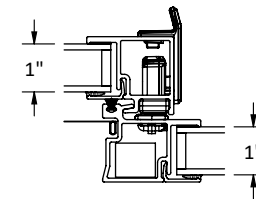
HORIZONTAL SLIDER SERIES 12110



HEAD & SILL



JAMBS



ALTERNATE 1" GLASS I.G.U.