

**Cross Section Drawing**

**C700 Half Vent or Single Vent**  
**1 3/8" Fin Setback, Accessory Groove Filler**

CAD File Scale  
NTS

View  
Horizontal & Vertical

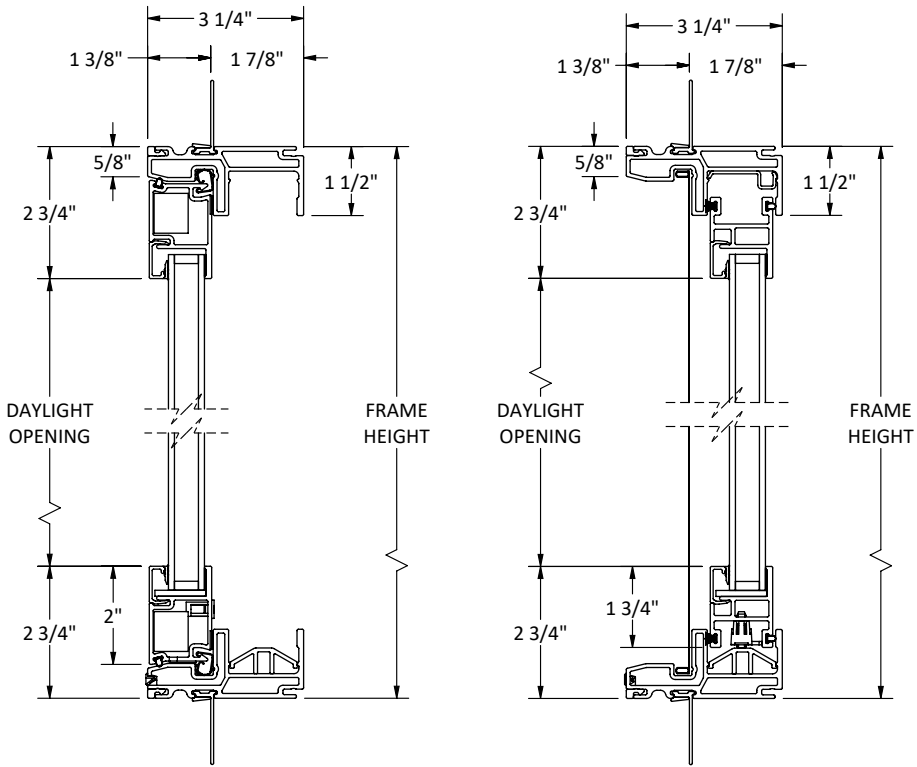
File name  
C700\_12110\_HV\_1.375\_IN\_ACCESSORY\_FILLER

Units  
Inch

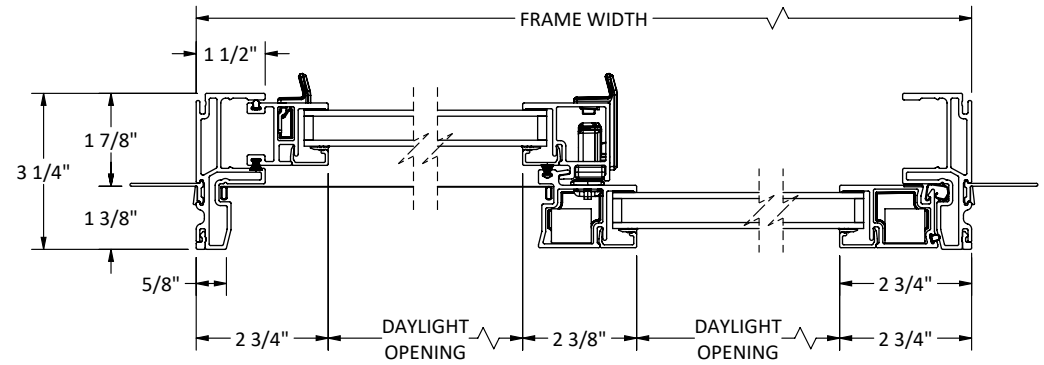
Date  
03/2025

More Technical Documents can be found at [milgard.com/professionals](http://milgard.com/professionals)  
Due to continual research and development, details may be changed at any time. (C) 2023 Milgard Mfg.

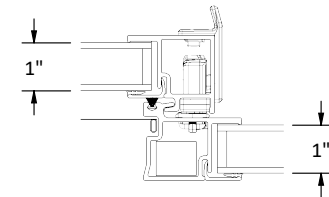
**HORIZONTAL SLIDER**  
**SERIES 12110**



HEAD & SILL



JAMBS



ALTERNATE 1" GLASS I.G.U.