

Cross Section Drawing

C700 Single Hung Two Wide Center Picture Window 1" Fin Setback, Stucco Key

CAD File Scale
NTS

View
Horizontal & Vertical

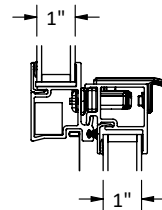
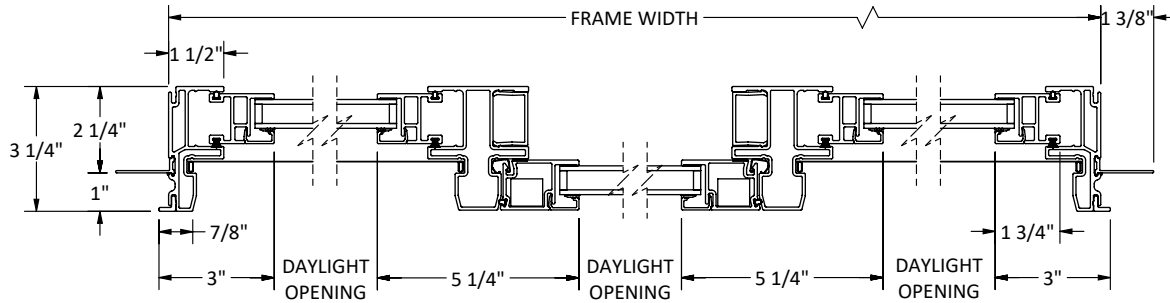
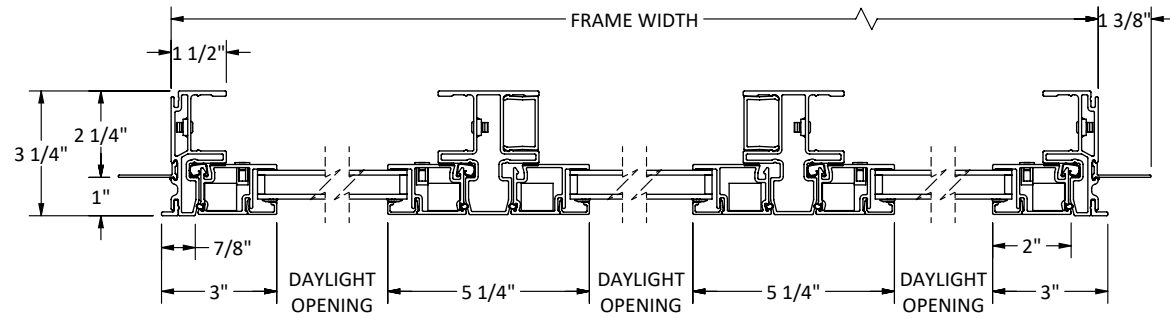
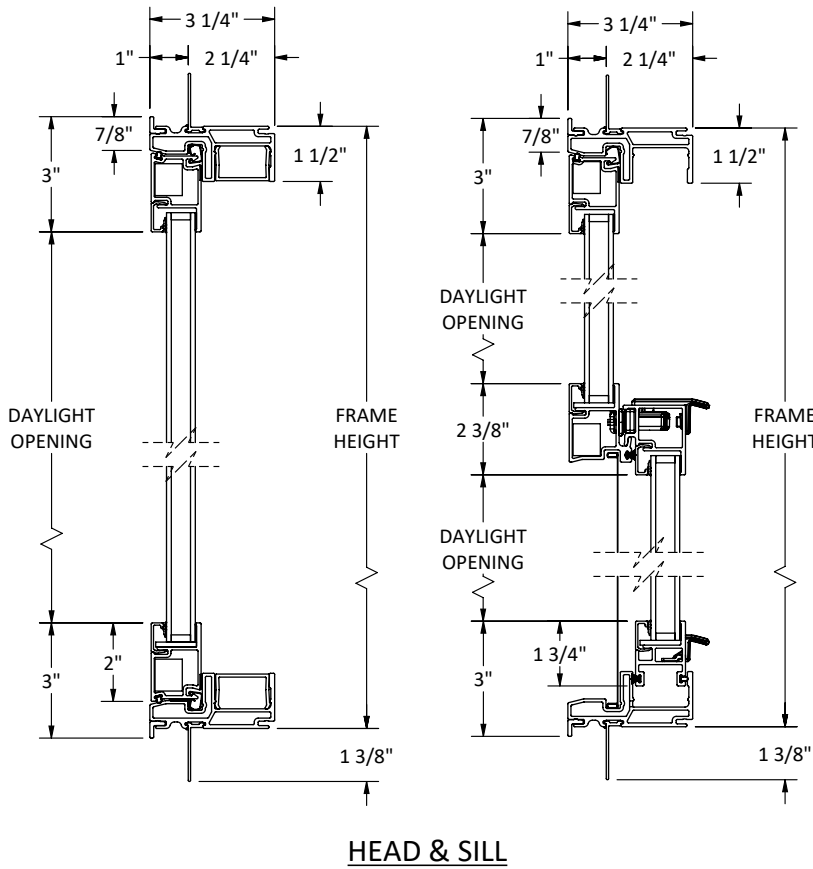
File name
C700_12210_DSHPW_1_IN_ACCESSORY_STUCCO

Units
Inch

Date
03/2025

More Technical Documents can be found at milgard.com/professionals
Due to continual research and development, details may be changed at any time. (C) 2023 Milgard Mfg.

SINGLE HUNG SERIES 12210



ALTERNATE 1" GLASS I.G.U.