

Cross Section Drawing

C700 Single Hung Two Wide Center Picture Window
Block Frame, with Sloped Sill Adapter



CAD File Scale
NTS

View
Horizontal & Vertical

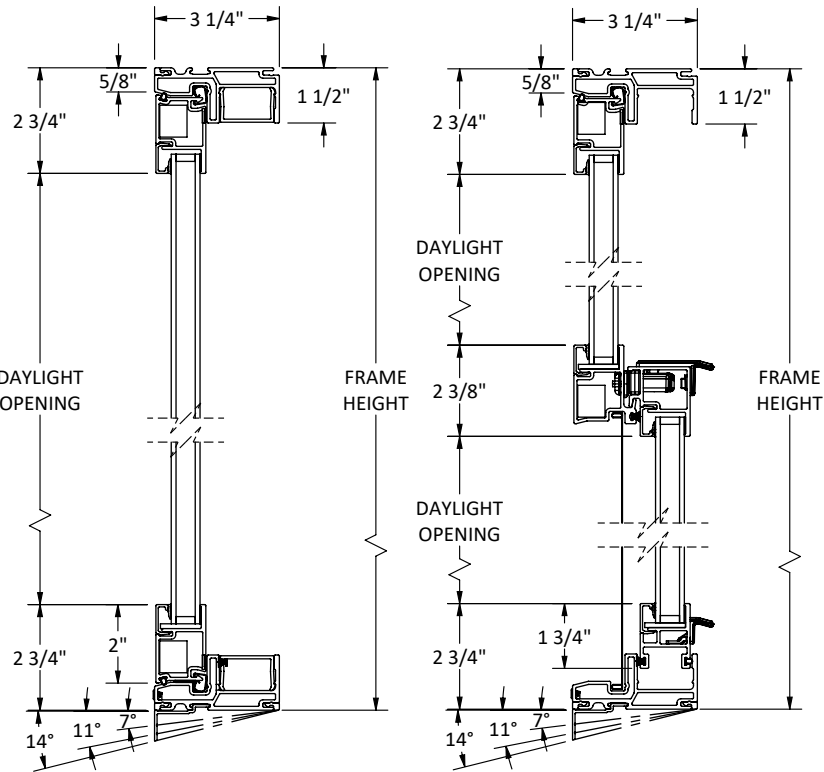
File name
C700_12210_DSHPW_SLOPED_SILL

Units
Inch

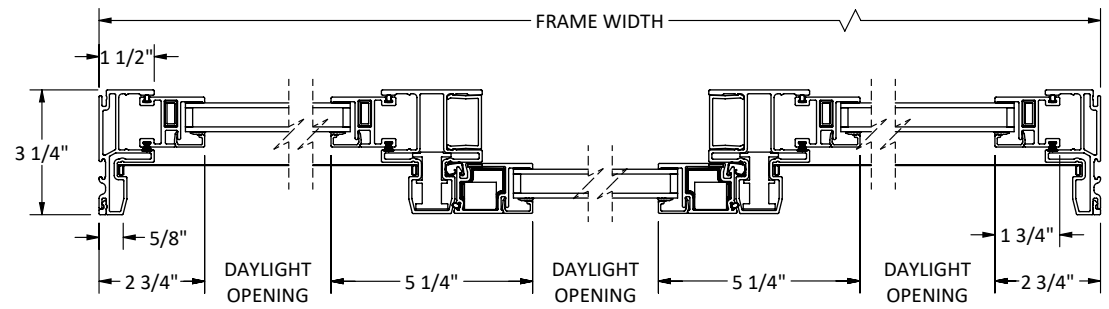
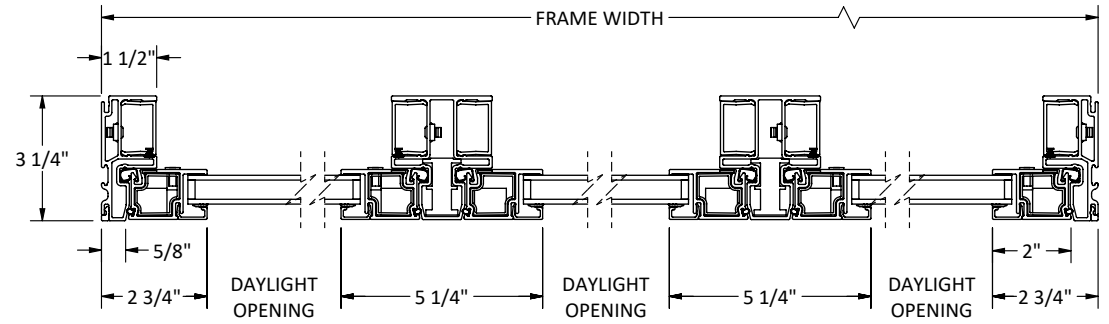
Date
03/2025

More Technical Documents can be found at milgard.com/professionals
Due to continual research and development, details may be changed at any time. (C) 2023 Milgard Mfg.

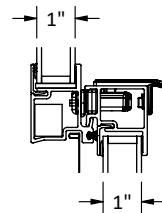
SINGLE HUNG
SERIES 12210



HEAD & SILL



JAMBS



ALTERNATE 1" GLASS I.G.U.