

Cross Section Drawing

**C700 Single Hung Below Picture Window
1" Fin Setback, Stucco Key**

CAD File Scale
NTS

View
Horizontal & Vertical

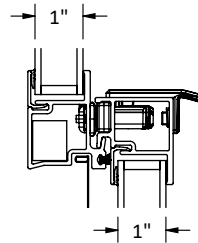
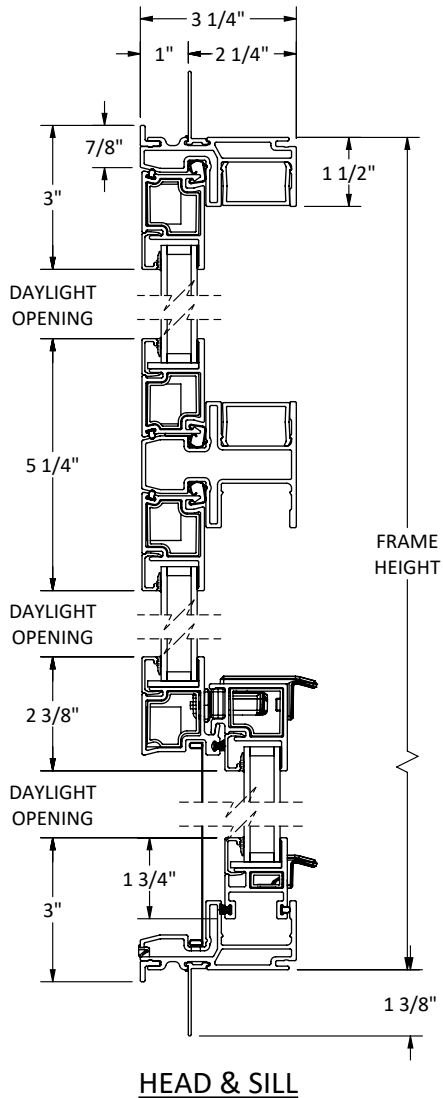
File name
C700_12210_SHB_1_IN_ACCESSORY_STUCCO

Units
Inch

Date
03/2025

More Technical Documents can be found at milgard.com/professionals
Due to continual research and development, details may be changed at any time. (C) 2023 Milgard Mfg.

**SINGLE HUNG
SERIES 12210**



ALTERNATE 1" GLASS I.G.U.

