

Cross Section Drawing

C700 Single Hung Below Picture Window Block Frame

CAD File Scale
NTS

View
Horizontal & Vertical

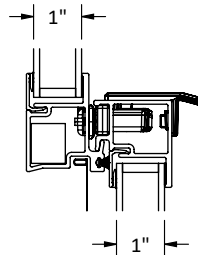
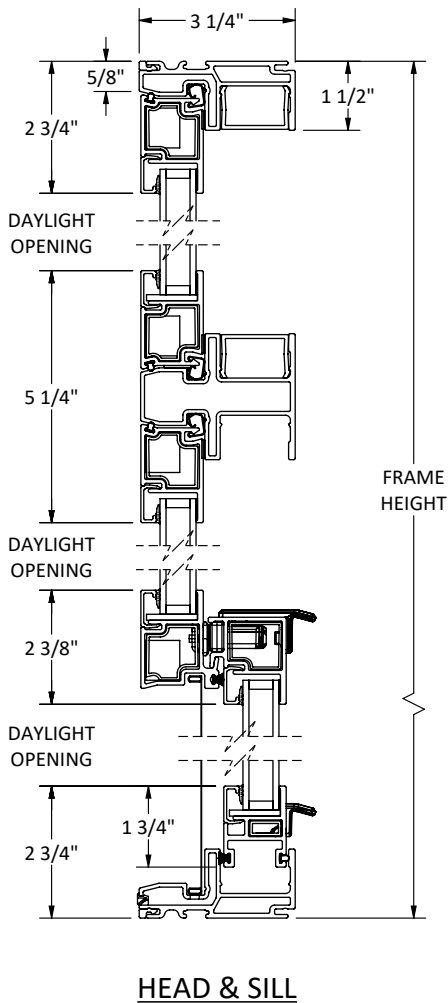
File name
C700_12210_SHB_BLOCK_FRAME

Units
Inch

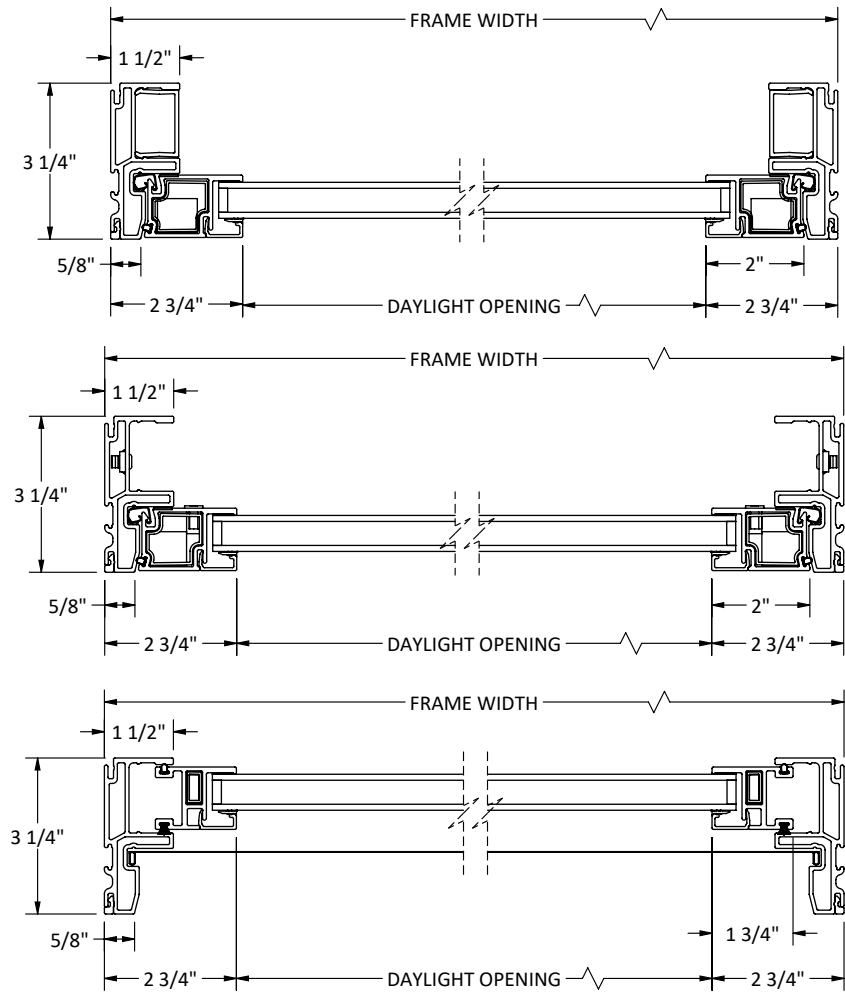
Date
03/2025

More Technical Documents can be found at milgard.com/professionals
Due to continual research and development, details may be changed at any time. (C) 2023 Milgard Mfg.

SINGLE HUNG SERIES 12210



ALTERNATE 1" GLASS I.G.U.



JAMBS