

Cross Section Drawing

C700 Single Hung Three Wide 1 3/8" Fin Setback, Stucco Key

MILGARD
WINDOWS and DOORS

CAD File Scale
NTS

View
Horizontal & Vertical

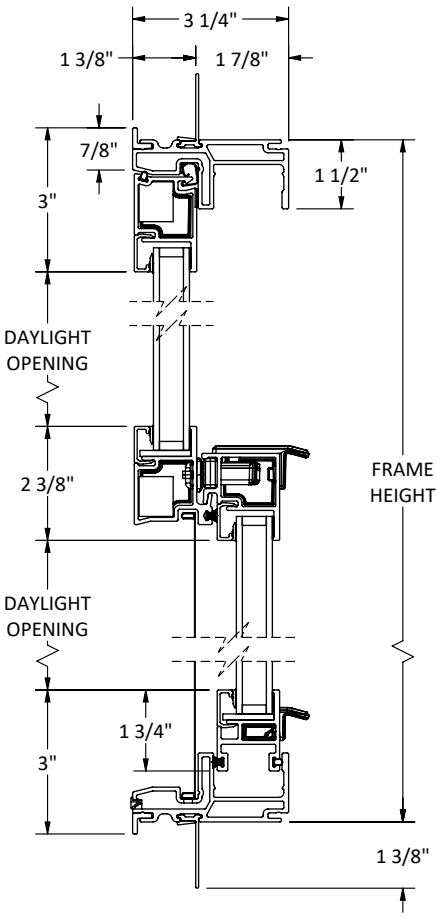
File name
C700_12210_TSH_1.375_IN_ACCESSORY_STUCCO

Units
Inch

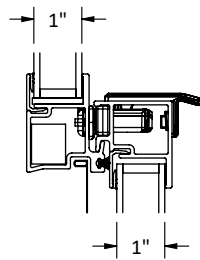
Date
03/2025

More Technical Documents can be found at milgard.com/professionals
Due to continual research and development, details may be changed at any time. (C) 2023 Milgard Mfg.

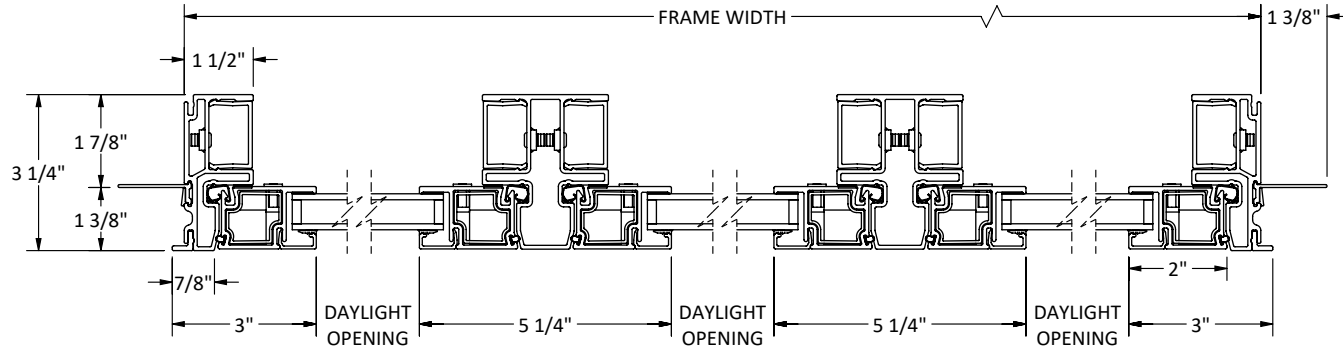
SINGLE HUNG SERIES 12210



HEAD & SILL



ALTERNATE 1" GLASS I.G.U.



JAMBS

