

Cross Section Drawing

**C700 Fixed Slider Picture Window Two High
1 3/8" Fin Setback, Accessory Groove Filler**

CAD File Scale
NTS

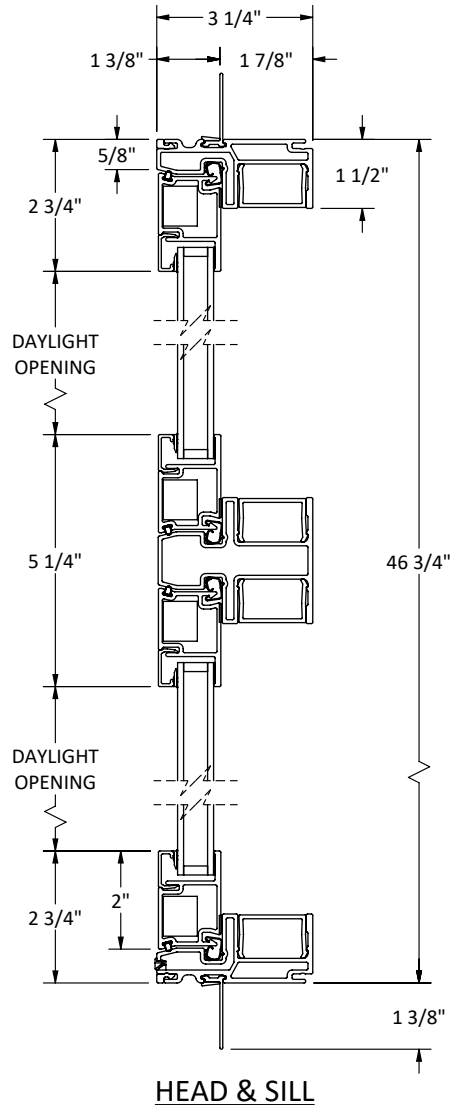
View
Horizontal & Vertical

File name
C700_12310_PWR2H_1.375_IN_ACCESSORY_FILLER

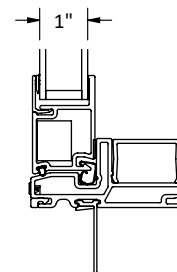
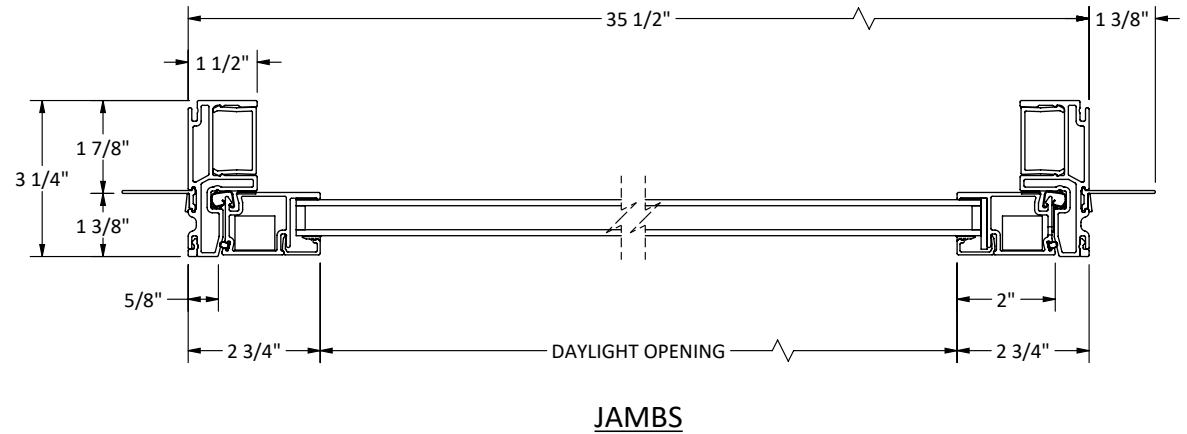
Units
Inch

Date
03/2025

More Technical Documents can be found at milgard.com/professionals
Due to continual research and development, details may be changed at any time. (C) 2023 Milgard Mfg.



**FIXED SLIDER
SERIES 12310**



ALTERNATE 1" GLASS I.G.U.