

# Cross Section Drawing

## C700 Fixed Slider Picture Window Two Wide Block Frame

**MILGARD**  
WINDOWS and DOORS

CAD File Scale  
NTS

View  
Horizontal & Vertical

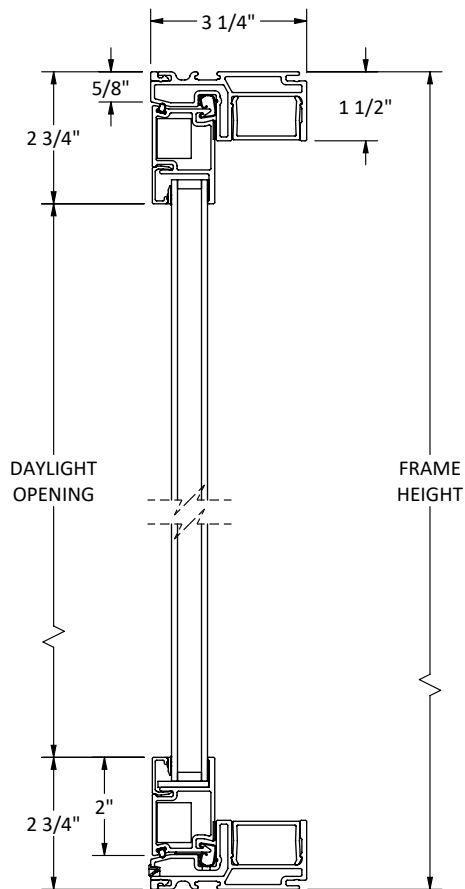
File name  
C700\_12310\_PWR2W\_BLOCK\_FRAME

Units  
Inch

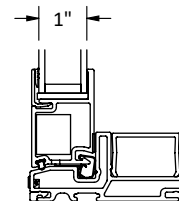
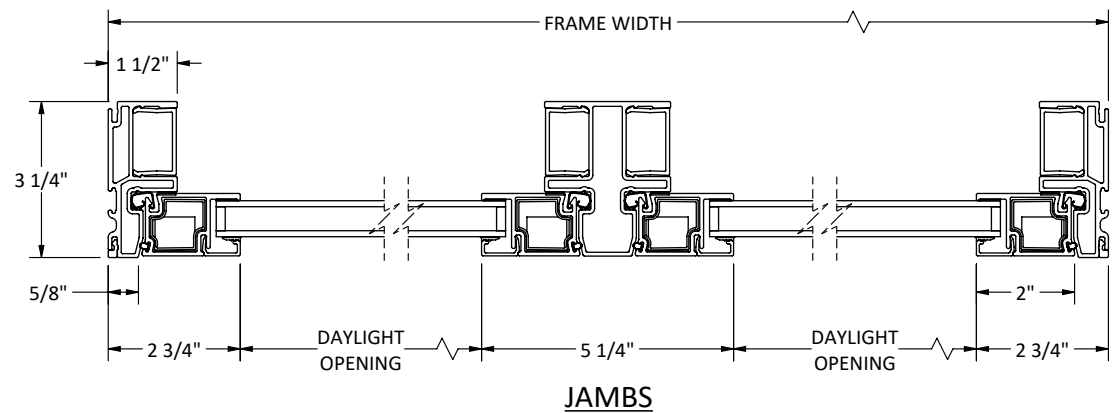
Date  
03/2025

More Technical Documents can be found at [milgard.com/professionals](http://milgard.com/professionals)  
Due to continual research and development, details may be changed at any time. (C) 2023 Milgard Mfg.

### FIXED SLIDER SERIES 12310



HEAD & SILL



ALTERNATE 1" GLASS I.G.U.