

Cross Section Drawing

**C700 Fixed Slider Picture Window Three Wide
1 3/8" Fin Setback, Accessory Groove Filler**

CAD File Scale
NTS

View
Horizontal & Vertical

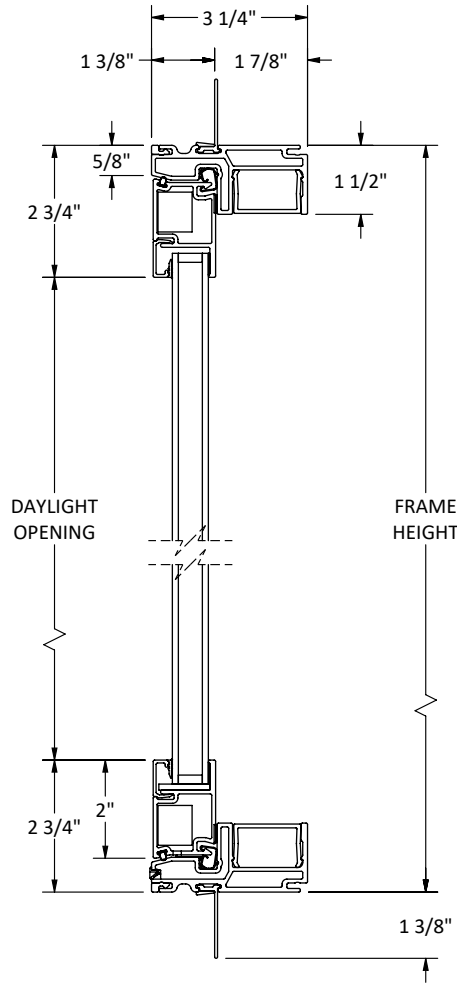
File name
C700_12310_PWR3W_1.375_IN_ACCESSORY_FILLER

Units
Inch

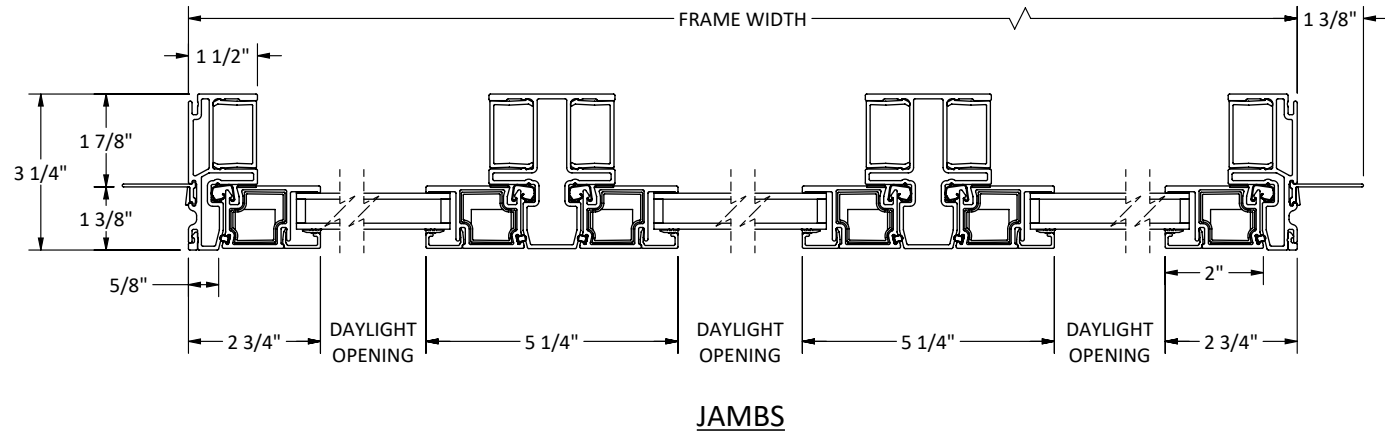
Date
03/2025

More Technical Documents can be found at milgard.com/professionals
Due to continual research and development, details may be changed at any time. (C) 2023 Milgard Mfg.

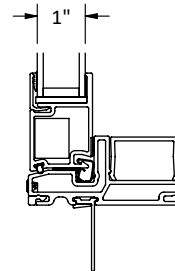
**FIXED SLIDER
SERIES 12310**



HEAD & SILL



JAMBS



ALTERNATE 1" GLASS I.G.U.