

Cross Section Drawing

C700 Fixed Slider Picture Window Three Wide Block Frame

MILGARD
WINDOWS and DOORS

CAD File Scale
NTS

View
Horizontal & Vertical

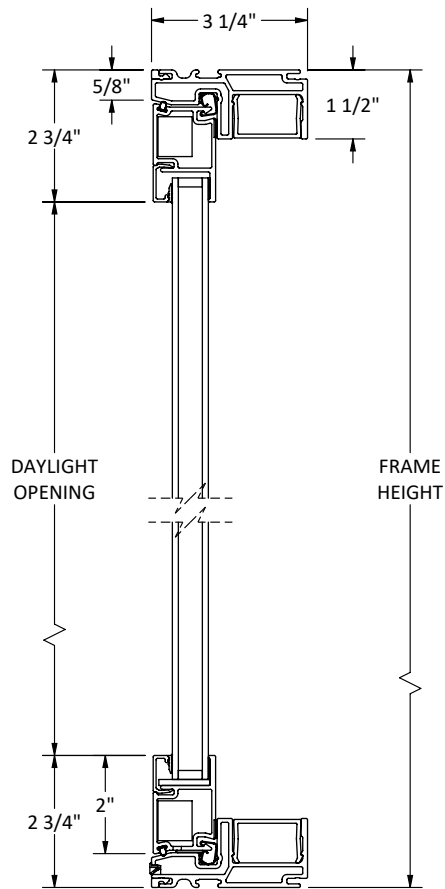
File name
C700_12310_PWR3W_BLOCK_FRAME

Units
Inch

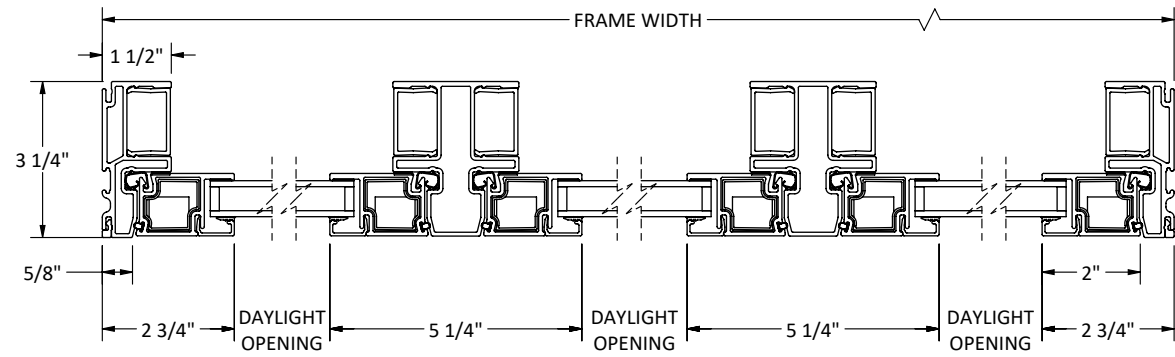
Date
10/2025

More Technical Documents can be found at milgard.com/professionals
Due to continual research and development, details may be changed at any time. (C) 2023 Milgard Mfg.

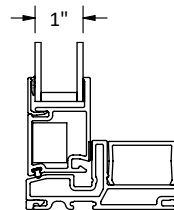
FIXED SLIDER SERIES 12310



HEAD & SILL



JAMBS



ALTERNATE 1" GLASS I.G.U.