

Cross Section Drawing

C700 Fixed Casement/Awning 1" Fin Setback, Stucco Key



CAD File Scale
NTS

View
Horizontal & Vertical

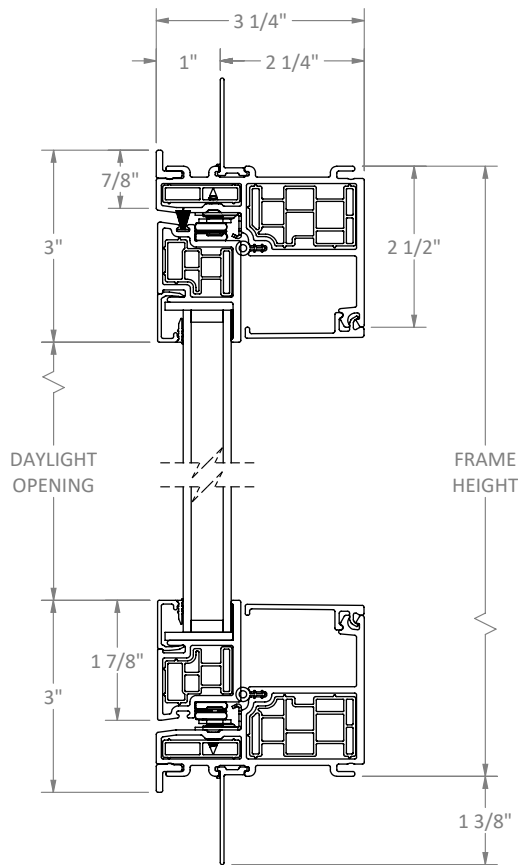
File name
C700_12350_CAF_1_IN_ACCESSORY_STUCCO

Units
Inch

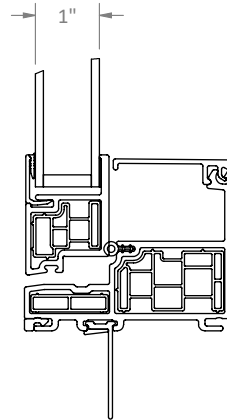
Date
03/01/25

More Technical Documents can be found at milgard.com/professionals
Due to continual research and development, details may be changed at any time. (C) 2023 Milgard Mfg.

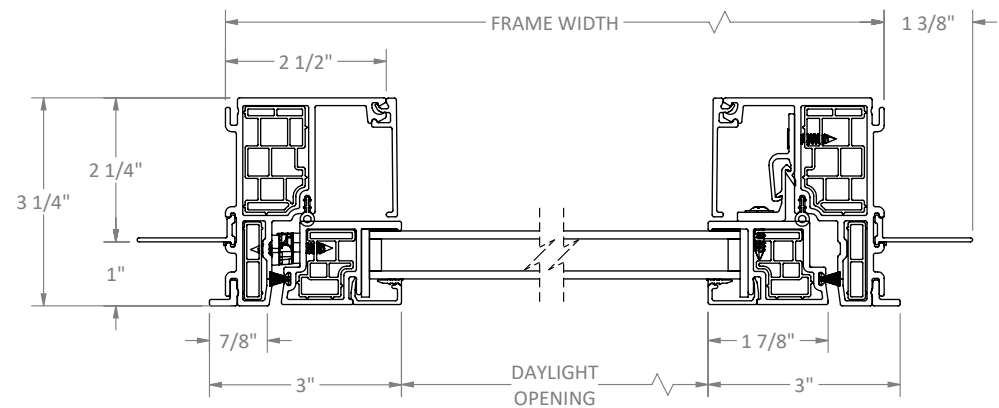
PICTURE WINDOW SERIES 12350



HEAD & SILL



ALTERNATE 1" GLASS I.G.U.



JAMBS