

# Cross Section Drawing

## C700 Fixed Casement/Awning Block Frame



CAD File Scale  
NTS

View  
Horizontal & Vertical

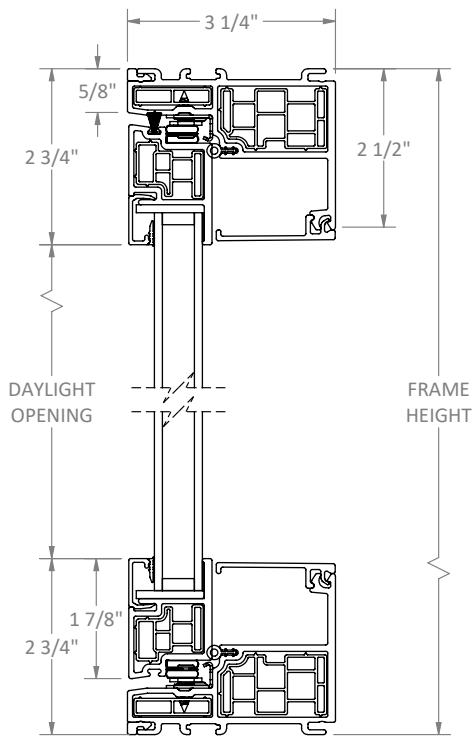
File name  
C700\_12350\_CAF\_BLOCK\_FRAME

Units  
Inch

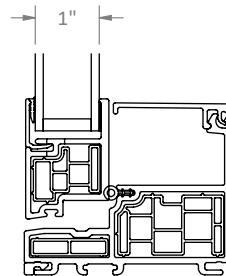
Date  
10/01/25

More Technical Documents can be found at [milgard.com/professionals](http://milgard.com/professionals)  
Due to continual research and development, details may be changed at any time. (C) 2023 Milgard Mfg.

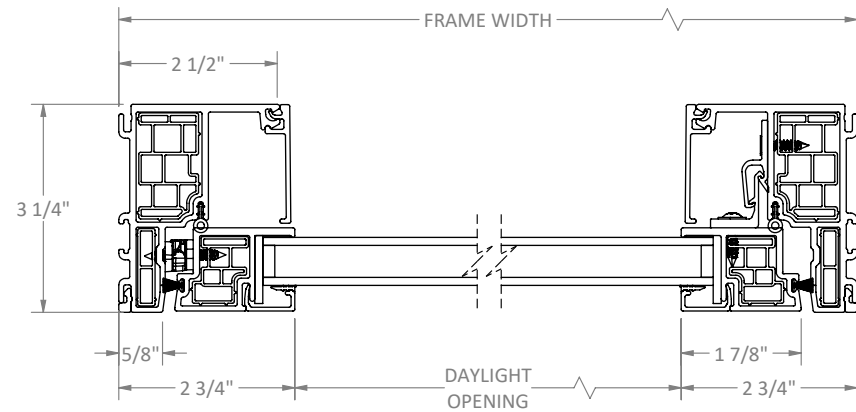
### PICTURE WINDOW SERIES 12350



HEAD & SILL



ALTERNATE 1" GLASS I.G.U.



JAMBS