

Cross Section Drawing

C700 Double Awning w/ Picture Window  
Block Frame, with Sloped Sill Adapter

CAD File Scale  
NTS

View  
Horizontal & Vertical

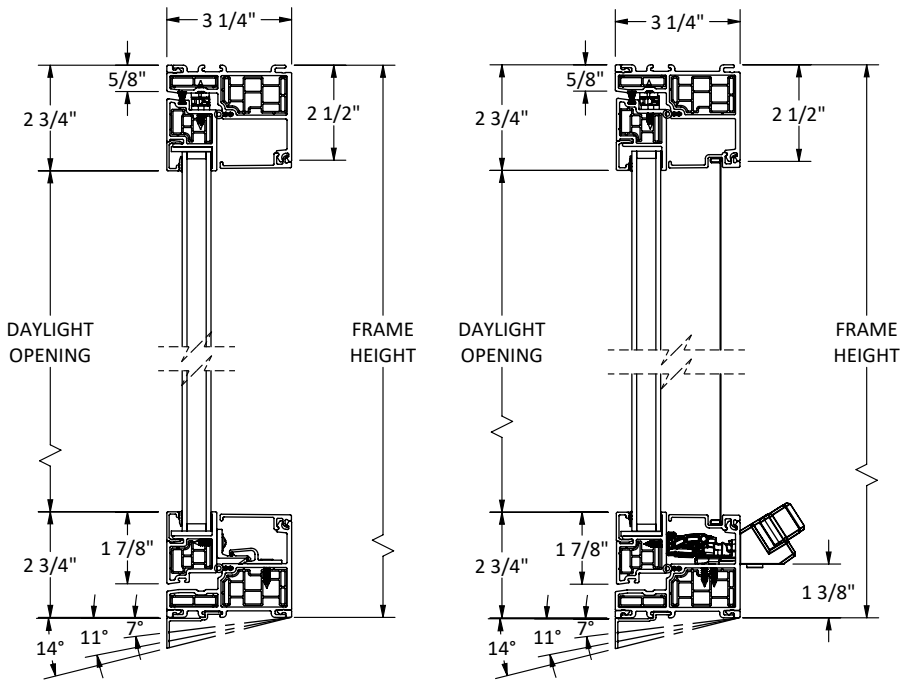
File name  
C700\_12410\_DAPWF\_SLOPED\_SILL

Units  
Inch

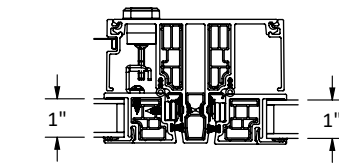
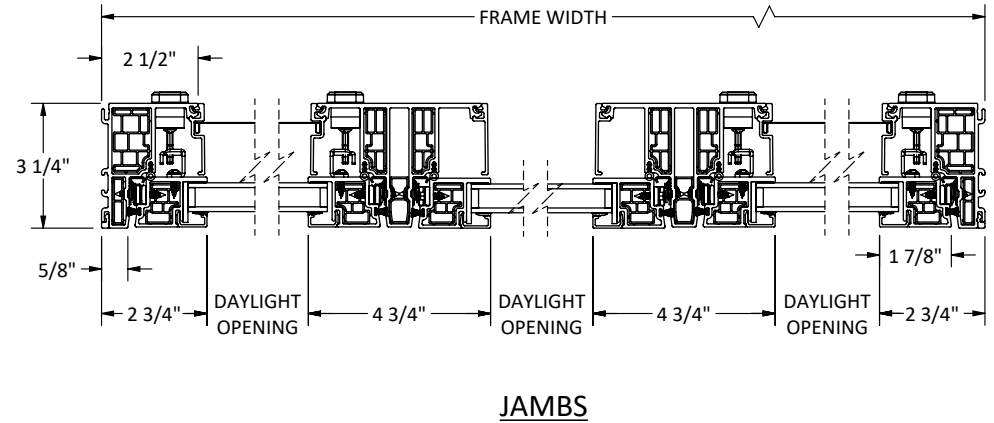
Date  
03/2025

More Technical Documents can be found at [milgard.com/professionals](http://milgard.com/professionals)  
Due to continual research and development, details may be changed at any time. (C) 2023 Milgard Mfg.

AWNING  
SERIES 12410



HEAD & SILL



ALTERNATE 1" GLASS I.G.U.