

# Cross Section Drawing

## C700 Double Awning Block Frame, with Sloped Sill Adapter

CAD File Scale  
NTS

View  
Horizontal & Vertical

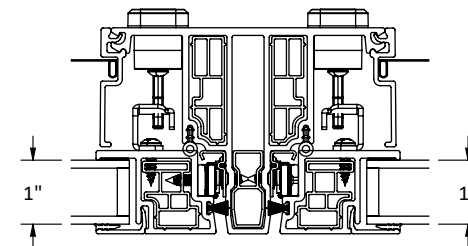
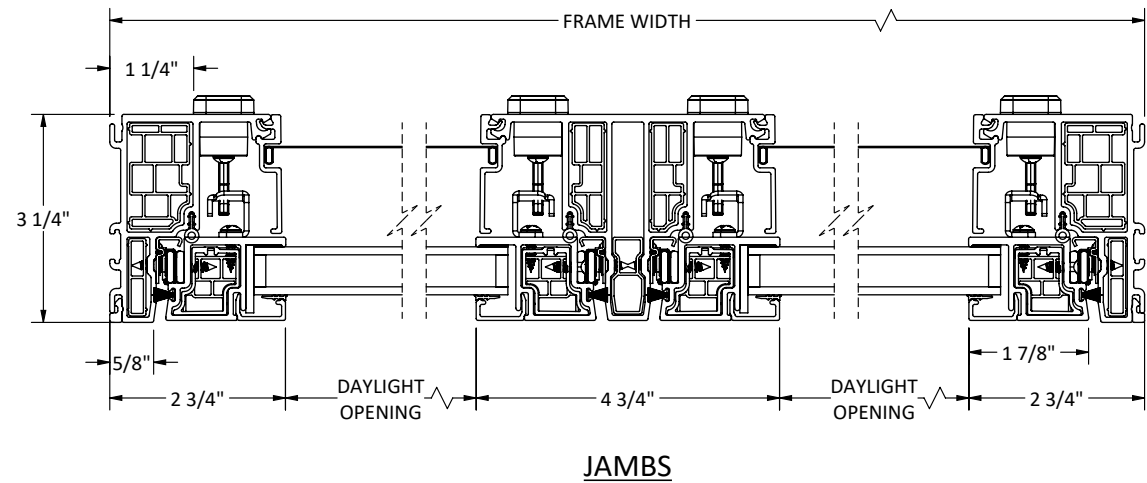
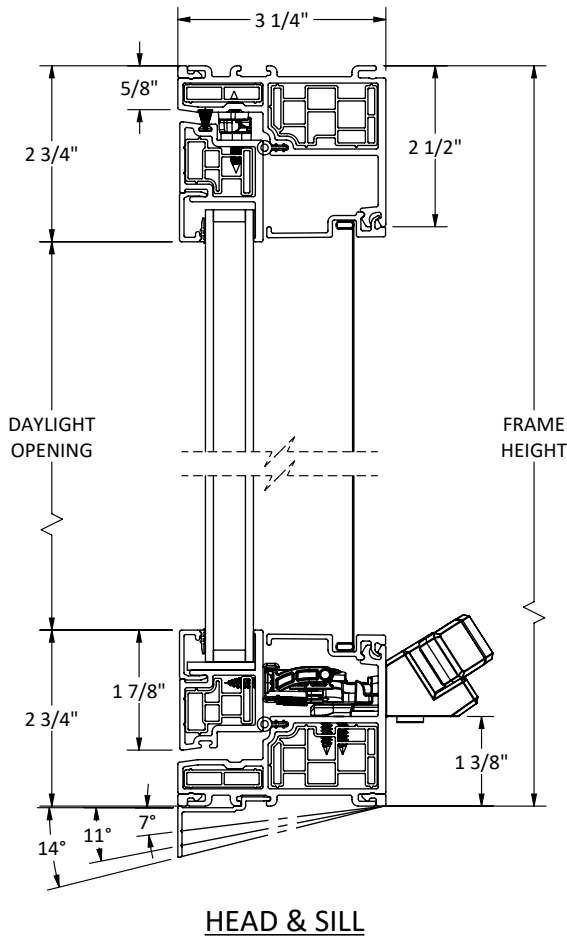
File name  
C700\_12410\_DA\_SLOPED\_SILL

Units  
Inch

Date  
03/2025

More Technical Documents can be found at [milgard.com/professionals](http://milgard.com/professionals)  
Due to continual research and development, details may be changed at any time. (C) 2023 Milgard Mfg.

### AWNING SERIES 12410



ALTERNATE 1" GLASS I.G.U.