

# Cross Section Drawing

## C700 Awning Above Awning 1 3/8" Fin Setback, Stucco Key



CAD File Scale  
NTS

View  
Horizontal & Vertical

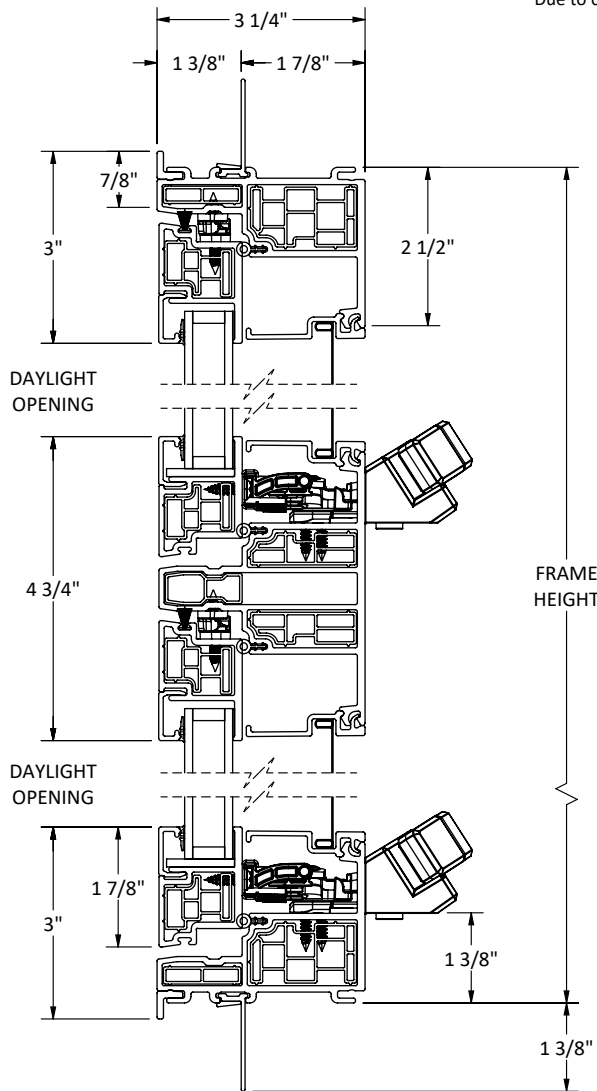
File name  
C700\_12410\_FA2H\_1.375\_IN\_ACCESSORY\_STUCCO

Units  
Inch

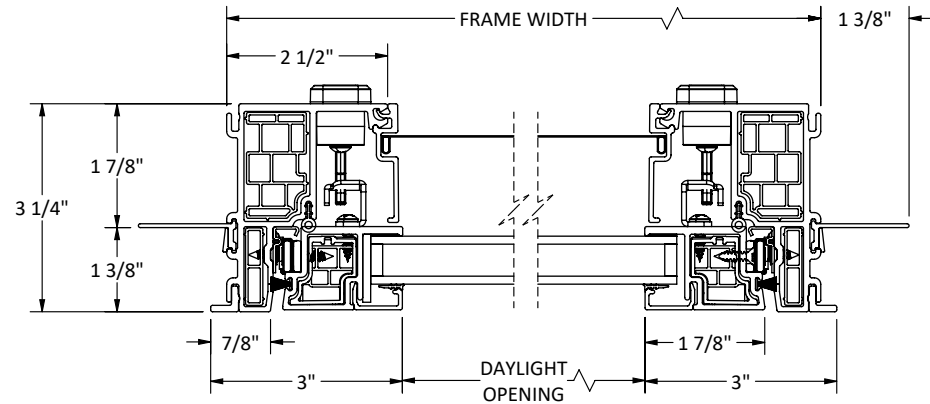
Date  
03/2025

More Technical Documents can be found at [milgard.com/professionals](http://milgard.com/professionals)  
Due to continual research and development, details may be changed at any time. (C) 2023 Milgard Mfg.

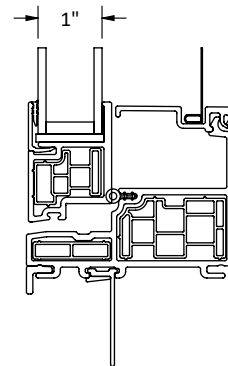
### AWNING ABOVE AWNING SERIES 12410



HEAD & SILL



JAMBS



ALTERNATE 1" GLASS I.G.U.