

Cross Section Drawing

C700 Triple Awning 3 High 1 3/8" Fin Setback, Accessory Groove Frame

MILGARD
WINDOWS and DOORS

CAD File Scale
NTS

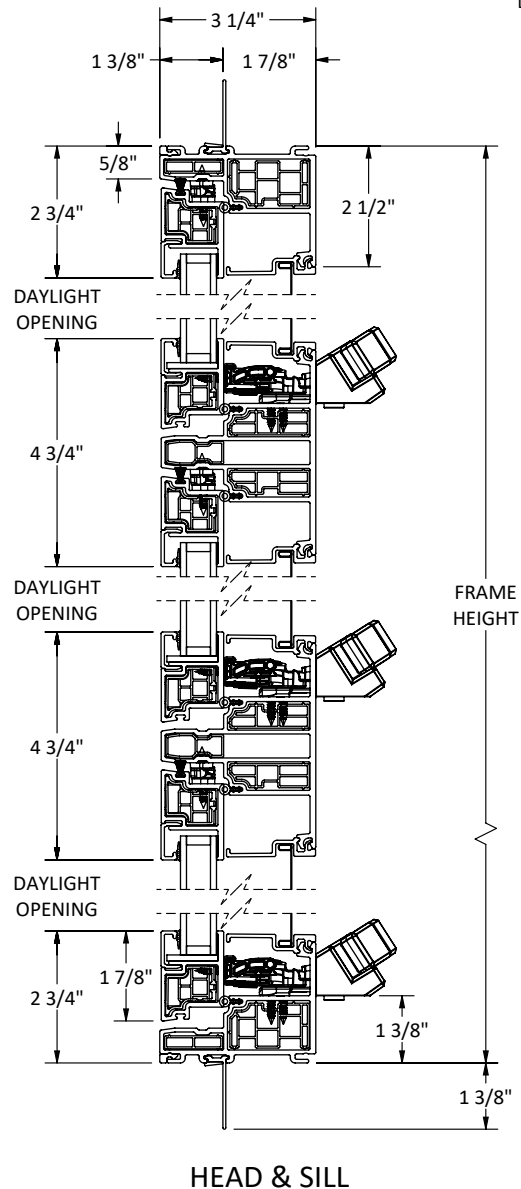
View
Horizontal & Vertical

File name
C700_12410_FA3H_1.375_IN_ACCESSORY_FILLER

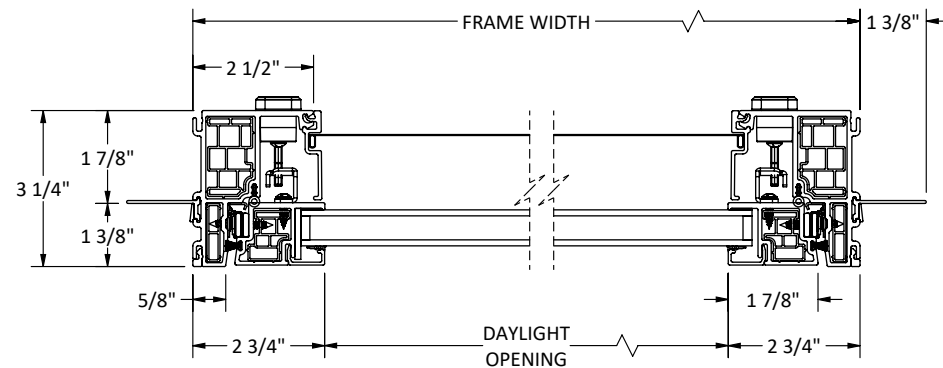
Units
Inch

Date
03/2025

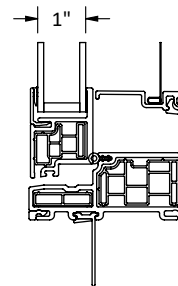
More Technical Documents can be found at milgard.com/professionals
Due to continual research and development, details may be changed at any time. (C) 2023 Milgard Mfg.



AWNING SERIES 12410



JAMBS



ALTERNATE 1" GLASS I.G.U.