

Cross Section Drawing

C700 Triple Awning 3 High 1 3/8" Fin Setback, Stucco Key

CAD File Scale
NTS

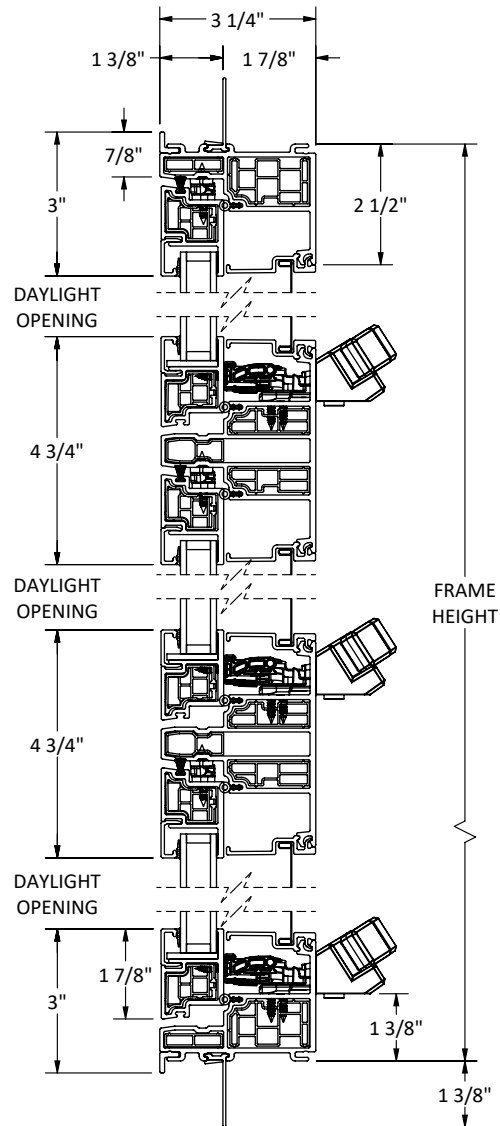
View
Horizontal & Vertical

File name
C700_12410_FA3H_1.375_IN_ACCESSORY_STUCCO

Units
Inch

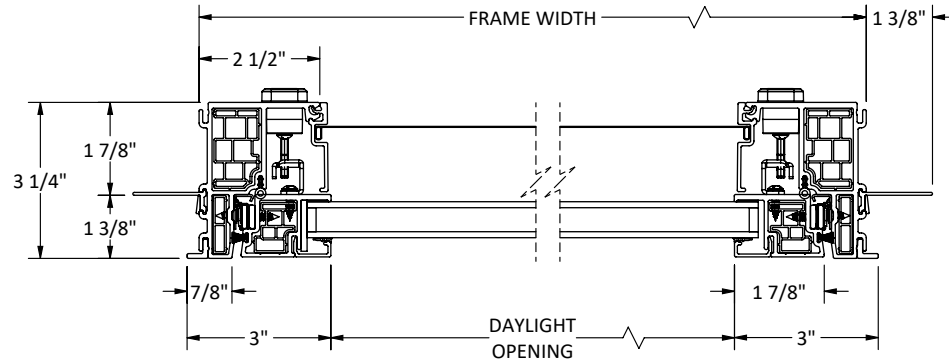
Date
03/2025

More Technical Documents can be found at milgard.com/professionals
Due to continual research and development, details may be changed at any time. (C) 2023 Milgard Mfg.

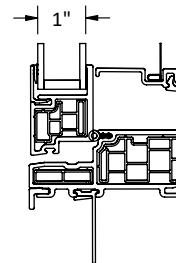


HEAD & SILL

AWNING SERIES 12410



JAMBS



ALTERNATE 1" GLASS I.G.U.