

Cross Section Drawing

C700 Triple Awning 3 High Block Frame, with Sloped Sill Adapter

CAD File Scale
NTS

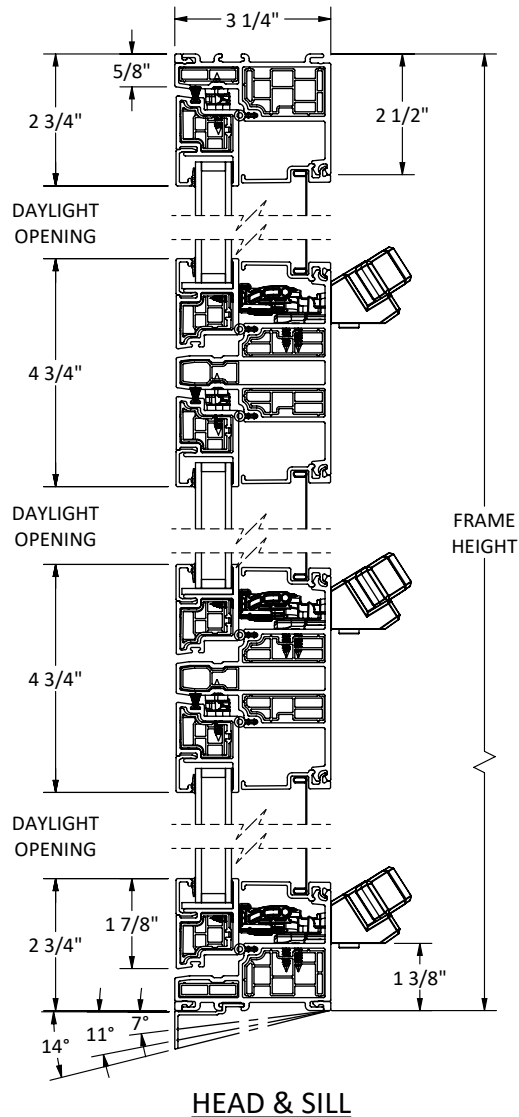
View
Horizontal & Vertical

File name
C700_12410_FA3H_SLOPED_SILL

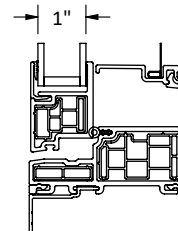
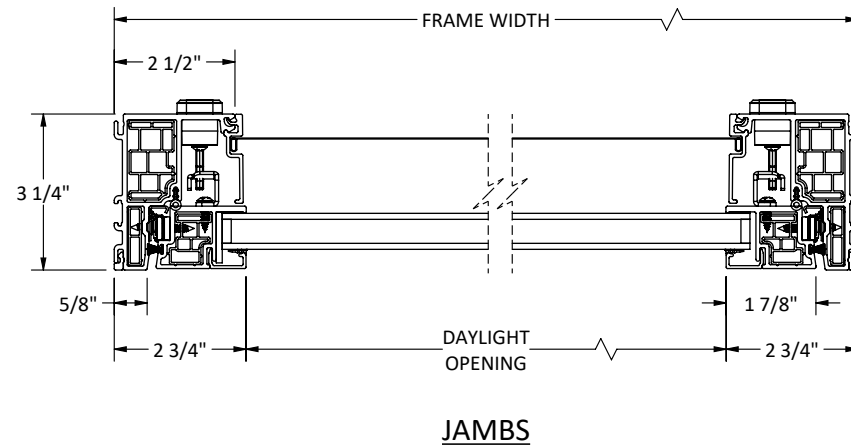
Units
Inch

Date
03/2025

More Technical Documents can be found at milgard.com/professionals
Due to continual research and development, details may be changed at any time. (C) 2023 Milgard Mfg.



AWNING SERIES 12410



ALTERNATE 1" GLASS I.G.U.