

# Cross Section Drawing

## C700 Full Awning 3 Wide 1 3/8" Fin Setback, Accessory Groove Frame

**MILGARD**  
WINDOWS and DOORS

CAD File Scale  
NTS

View  
Horizontal & Vertical

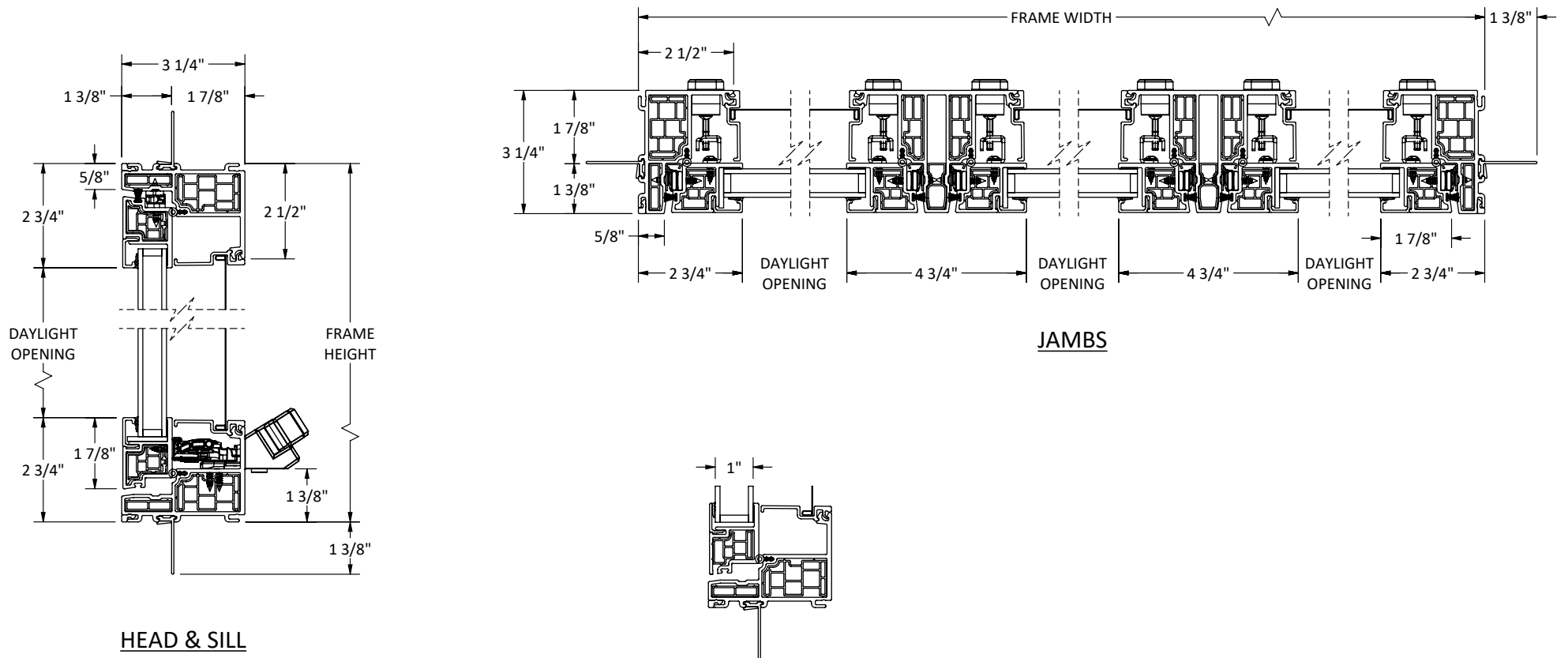
File name  
C700\_12410\_FA3W\_1.375\_IN\_ACCESSORY\_FILLER

Units  
Inch

Date  
03/2025

More Technical Documents can be found at [milgard.com/professionals](http://milgard.com/professionals)  
Due to continual research and development, details may be changed at any time. (C) 2023 Milgard Mfg.

### AWNING SERIES 12410



HEAD & SILL

ALTERNATE 1" GLASS I.G.U.