

Cross Section Drawing

C700 Full Awning Beside Fixed 1" Fin Setback, Stucco Key



CAD File Scale
NTS

View
Horizontal & Vertical

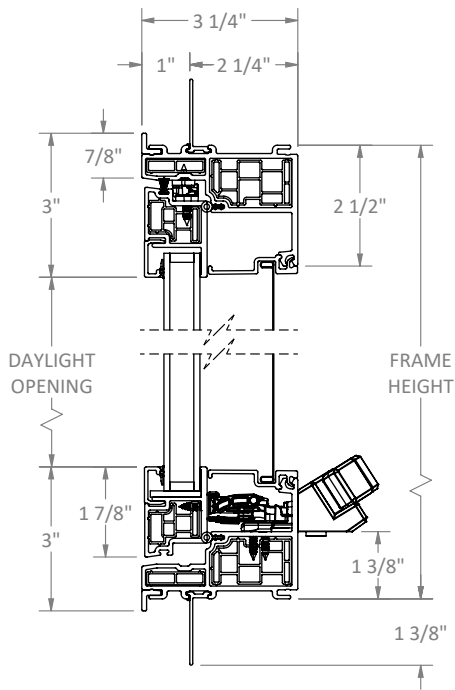
File name
C700_12410_SAF_1_IN_ACCESSORY_STUCCO

Units
Inch

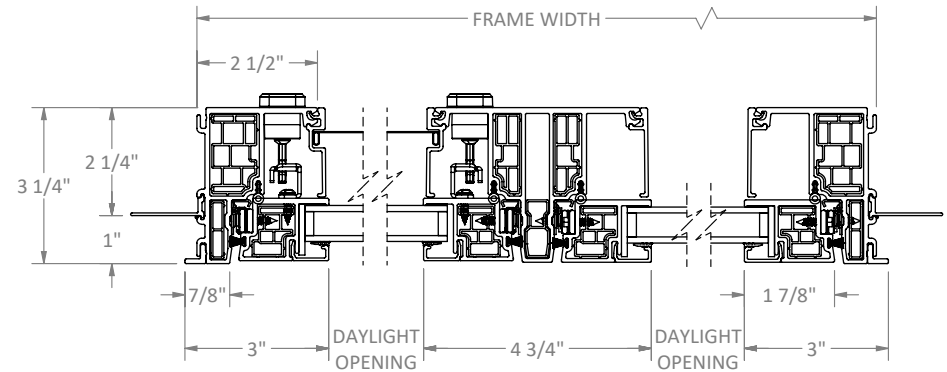
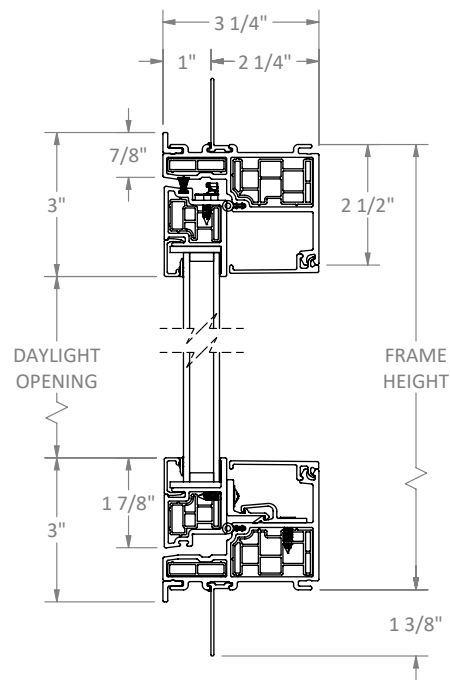
Date
03/2025

More Technical Documents can be found at milgard.com/professionals
Due to continual research and development, details may be changed at any time. (C) 2023 Milgard Mfg.

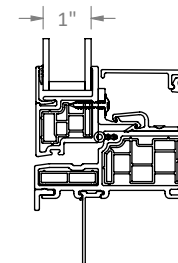
AWNING SERIES 12410



HEAD & SILL



JAMBS



ALTERNATE 1" GLASS I.G.U.