

Cross Section Drawing

C700 Awning Above Picture Window Block Frame, with Sloped Sill Adapter



CAD File Scale
NTS

View
Horizontal & Vertical

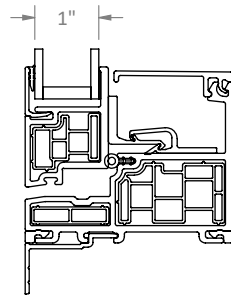
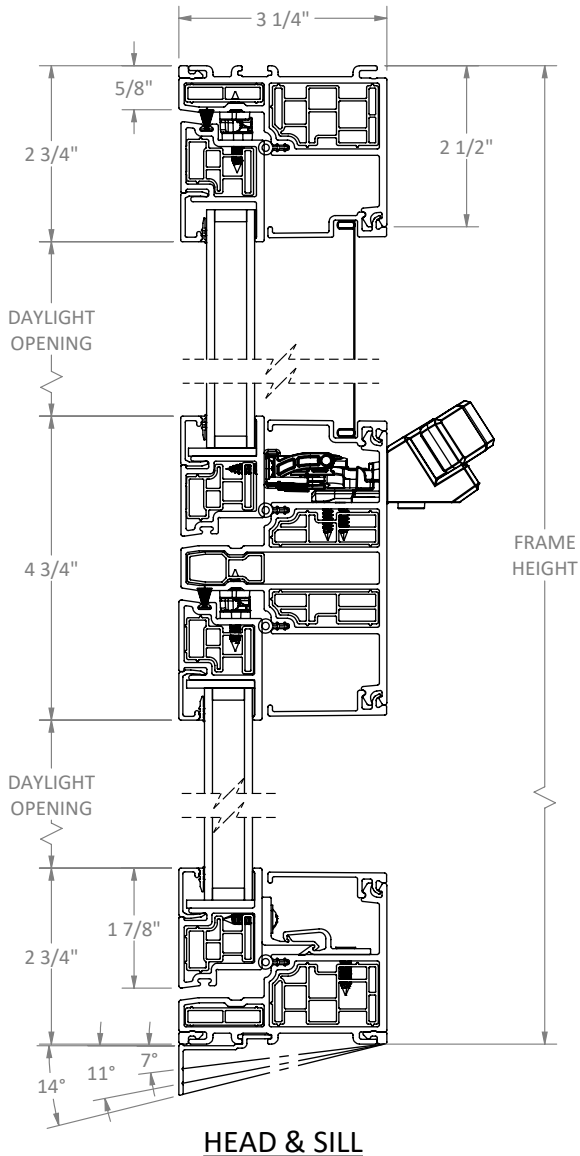
File name
C700_12410_TA_SLOPED_SILL

Units
Inch

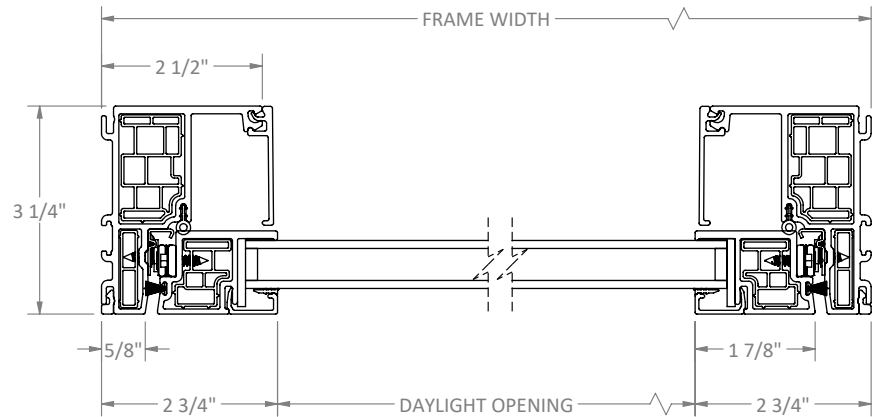
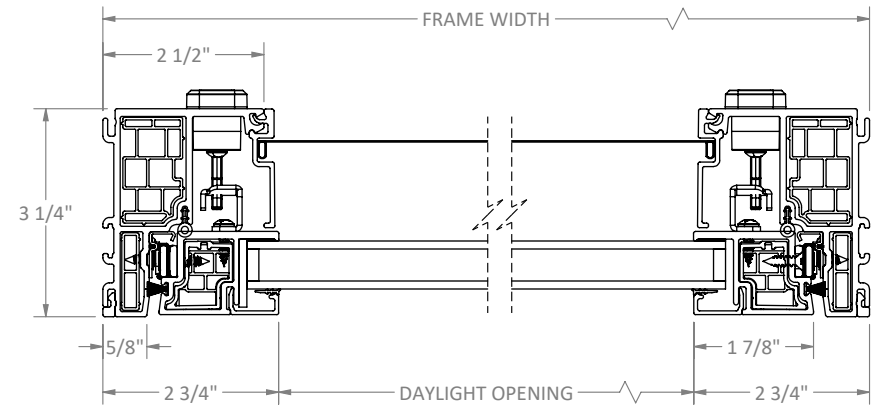
Date
03/2025

More Technical Documents can be found at milgard.com/professionals
Due to continual research and development, details may be changed at any time. (C) 2023 Milgard Mfg.

AWNING SERIES 12410



ALTERNATE 1" GLASS I.G.U.



JAMBS