

**Cross Section Drawing**

**C700 Bottom Casement  
1" Fin Setback, Stucco Key**

CAD File Scale  
NTS

View  
Horizontal & Vertical

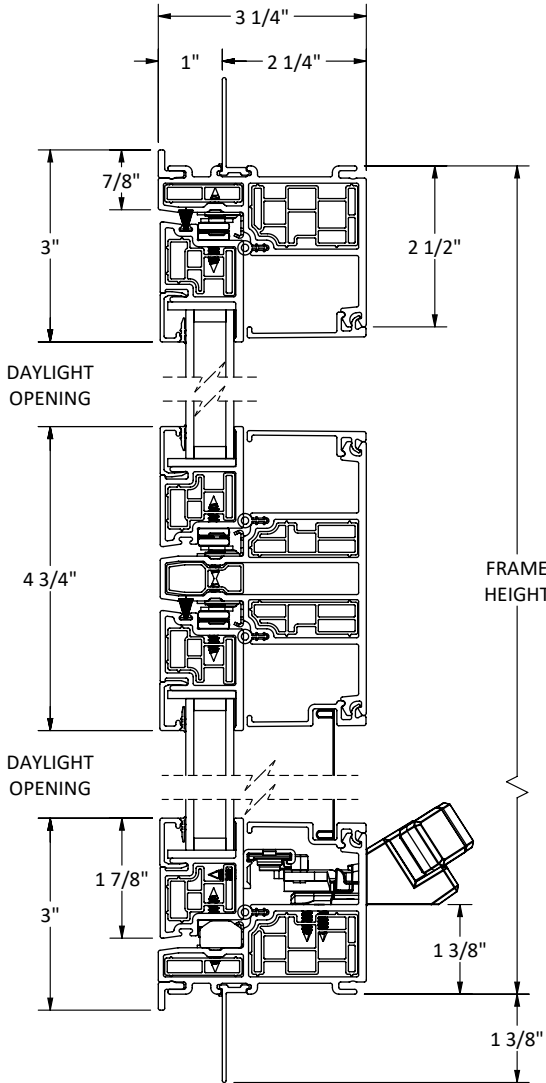
File name  
C700\_12510\_BC\_1\_IN\_ACCESSORY\_STUCCO

Units  
Inch

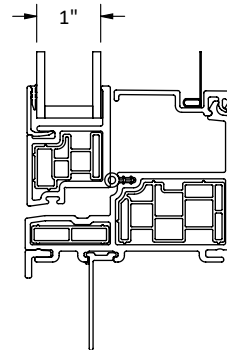
Date  
03/2025

More Technical Documents can be found at [milgard.com/professionals](http://milgard.com/professionals)  
Due to continual research and development, details may be changed at any time. (C) 2023 Milgard Mfg.

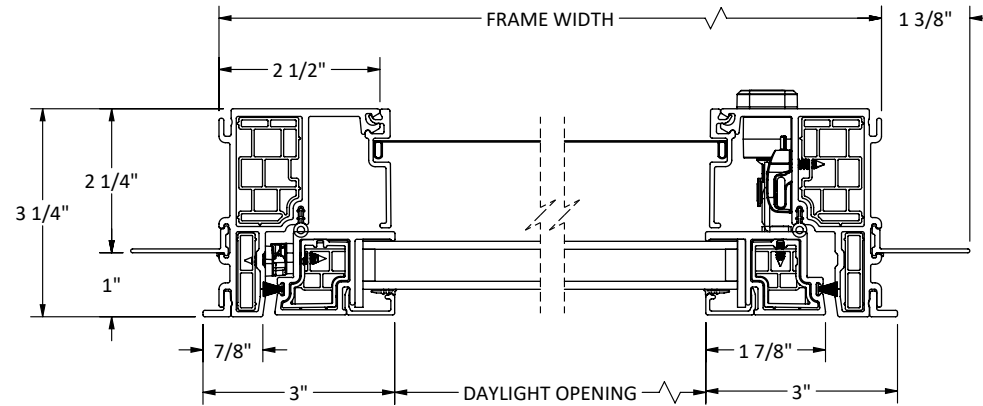
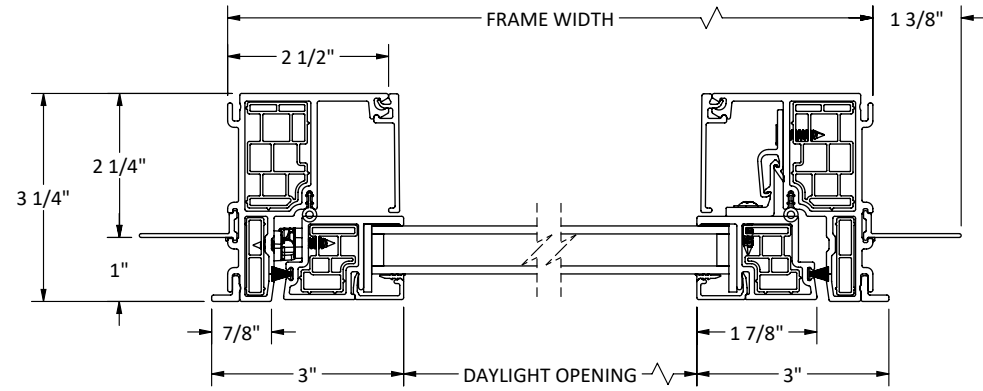
**CASEMENT  
SERIES 12510**



**HEAD & SILL**



**ALTERNATE 1" GLASS I.G.U.**



**JAMBS**