

Cross Section Drawing

C700 Double Casement Block Frame



CAD File Scale
NTS

View
Horizontal & Vertical

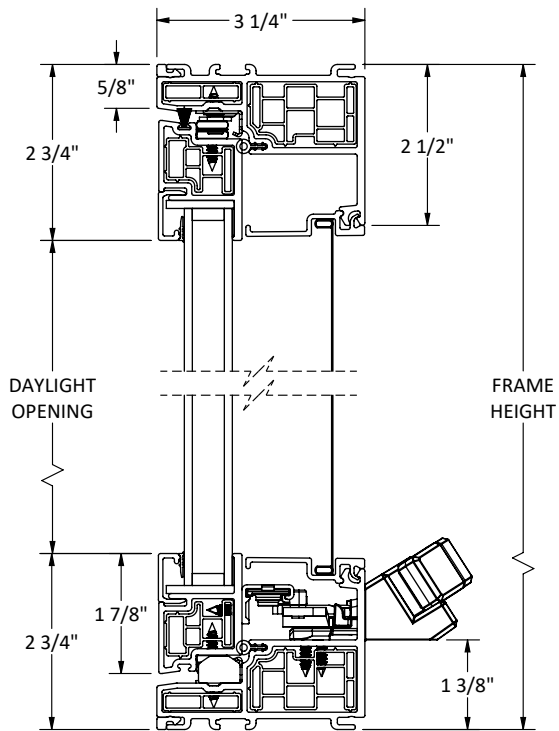
File name
C700_12510_DC_BLOCK_FRAME

Units
Inch

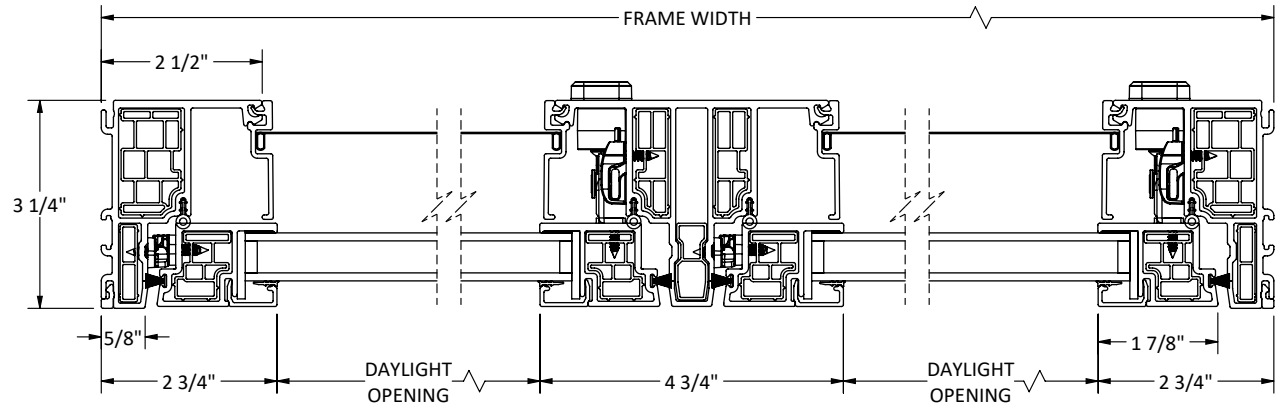
Date
03/2025

More Technical Documents can be found at milgard.com/professionals
Due to continual research and development, details may be changed at any time. (C) 2023 Milgard Mfg.

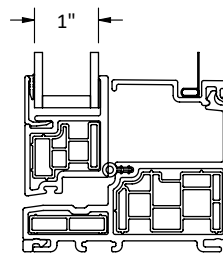
CASEMENT SERIES 12510



HEAD & SILL



JAMBS



ALTERNATE 1" GLASS I.G.U.