

Cross Section Drawing

C700 Top Casement
1 3/8" Fin Setback, Stucco Key

CAD File Scale
 NTS

View
 Horizontal & Vertical

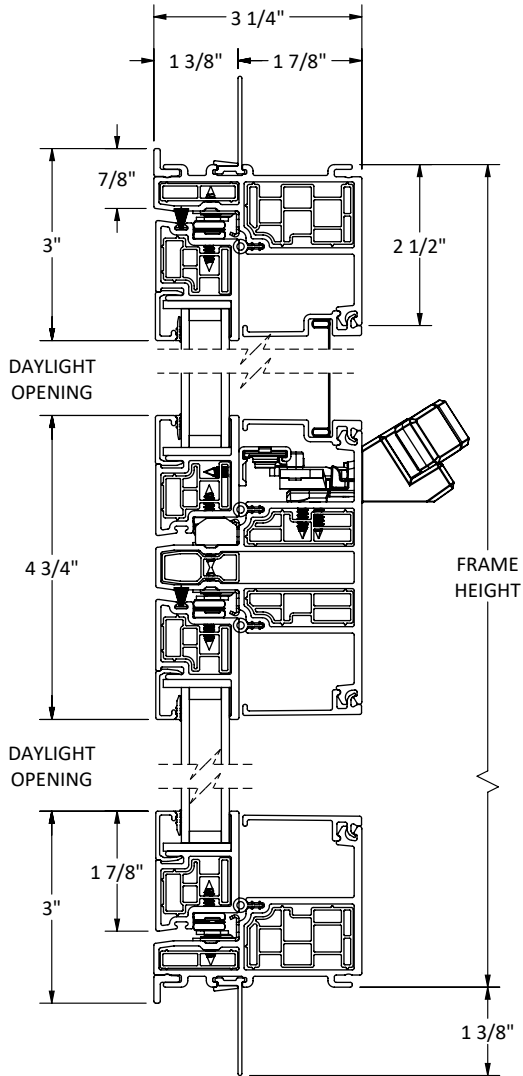
File name
 C700_12510_TC_1.375_IN_ACCESSORY_STUCCO

Units
 Inch

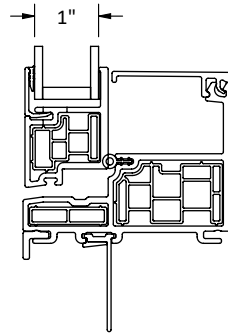
Date
 03/2025

More Technical Documents can be found at milgard.com/professionals
 Due to continual research and development, details may be changed at any time. (C) 2023 Milgard Mfg.

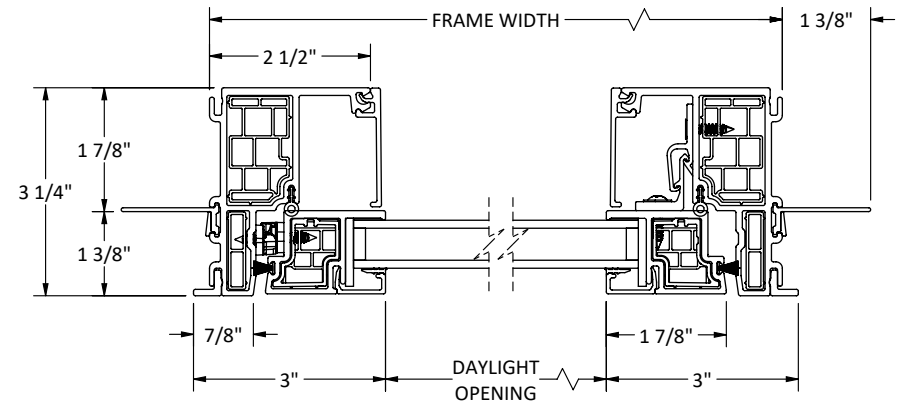
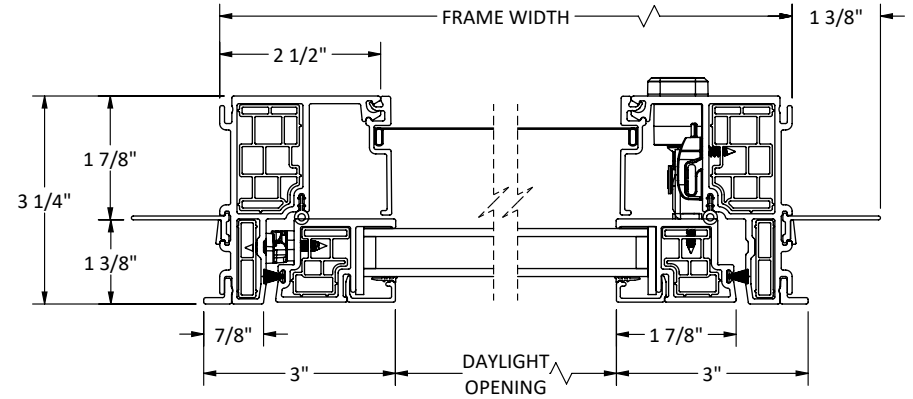
CASEMENT
SERIES 12510



HEAD & SILL



ALTERNATE 1" GLASS I.G.U.



JAMBS