

Cross Section Drawing

C700 Top Casement Block Frame, with Sloped Sill Adapter

CAD File Scale
NTS

View
Horizontal & Vertical

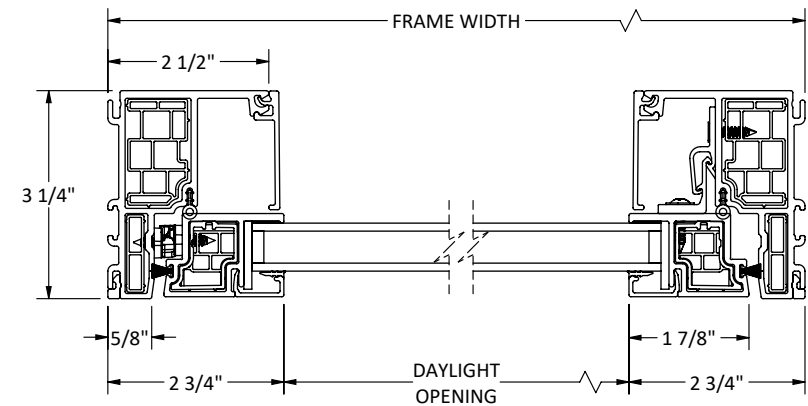
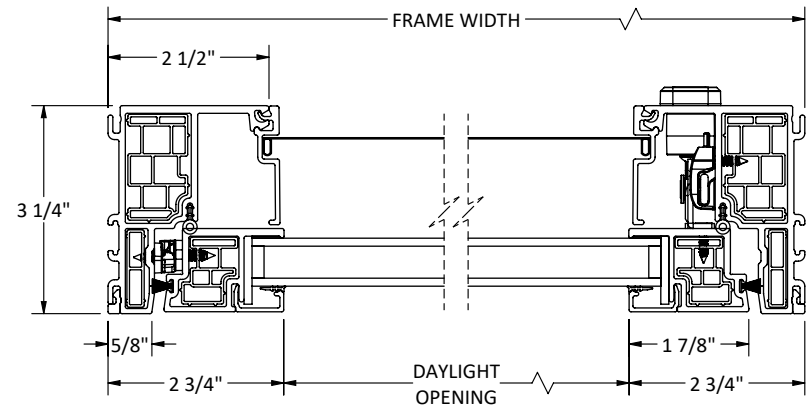
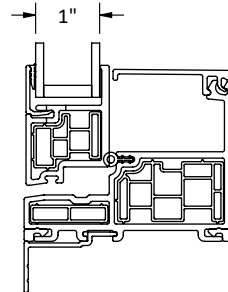
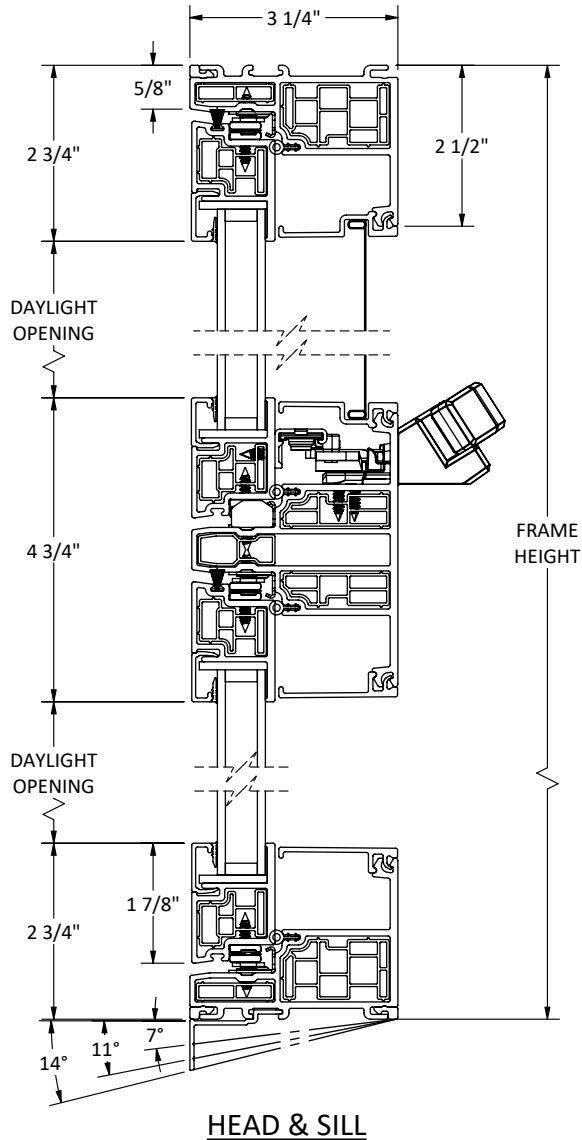
File name
C700_12510_TC_SLOPED_SILL

Units
Inch

Date
03/2025

More Technical Documents can be found at milgard.com/professionals
Due to continual research and development, details may be changed at any time. (C) 2023 Milgard Mfg.

CASEMENT SERIES 12510



JAMBS