

Cross Section Drawing

C700 SGD
5-5/8" FRAME 1 3/8" FIN WITH ACCESSORY GROVE FILLER

CAD File Scale
NTS

View
Horizontal & Vertical

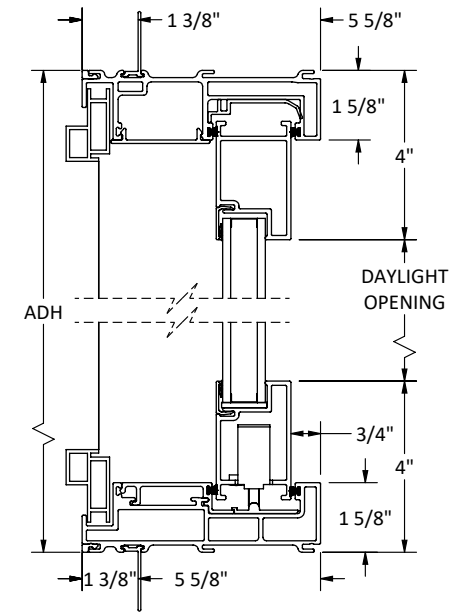
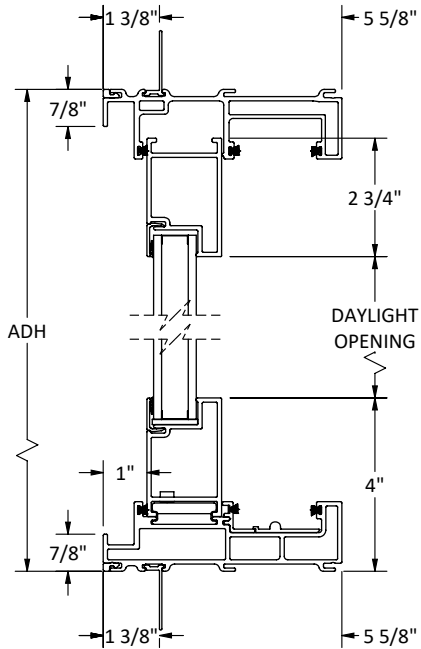
File name
OOX A2 C700 SGD 1.375 FIN WITH ACCESSORY 12610-06

Units
Inch

Date
02/18/26

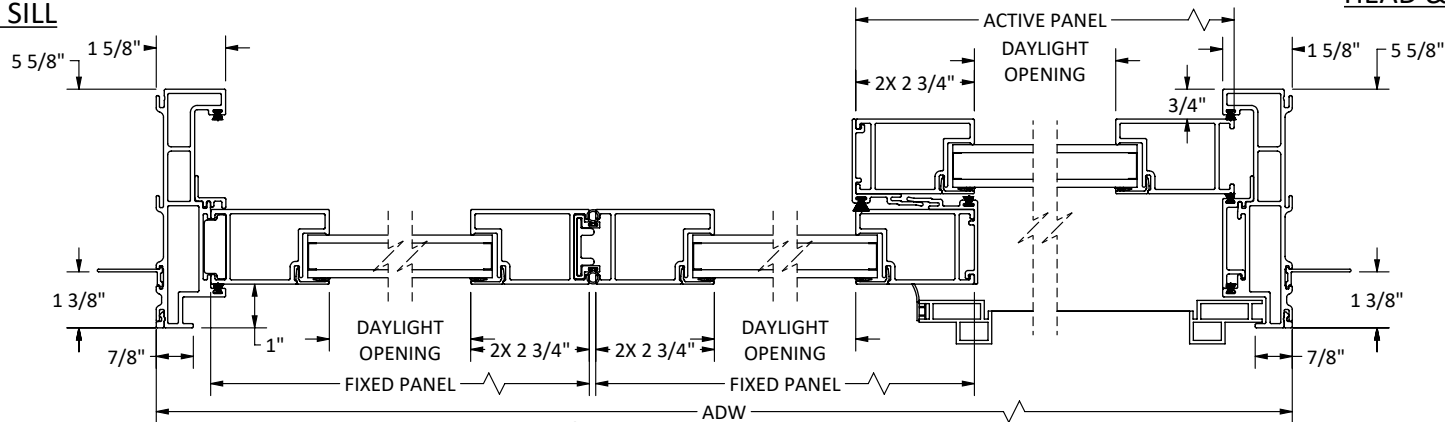
More Technical Documents can be found at milgard.com/professionals
Due to continual research and development, details may be changed at any time. (C) 2023 Milgard Mfg.

OOX
C700 SGD



EXTERIOR
HEAD & SILL

HEAD & SILL



EXTERIOR

JAMBS