

Cross Section Drawing



C700 SGD 5-5/8" FRAME WITH ACCESSORY GROVE FILLER

CAD File Scale
NTS

View
Horizontal & Vertical

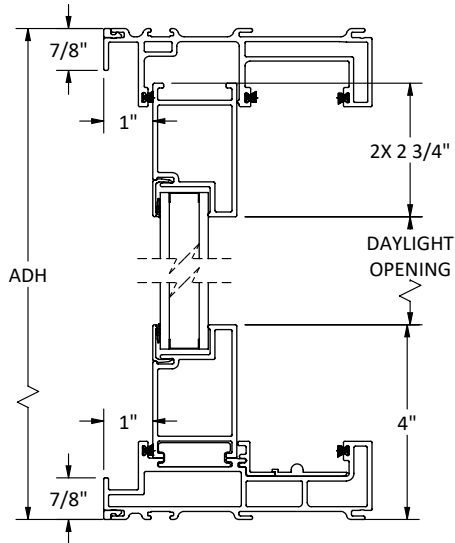
File name
OXO_L A1 C700 SGD ACCESS GROVE 12610-03

Units
Inch

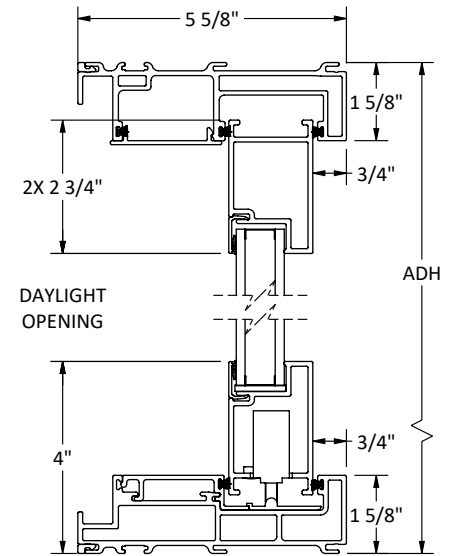
Date
02/18/26

More Technical Documents can be found at milgard.com/professionals
Due to continual research and development, details may be changed at any time. (C) 2023 Milgard Mfg.

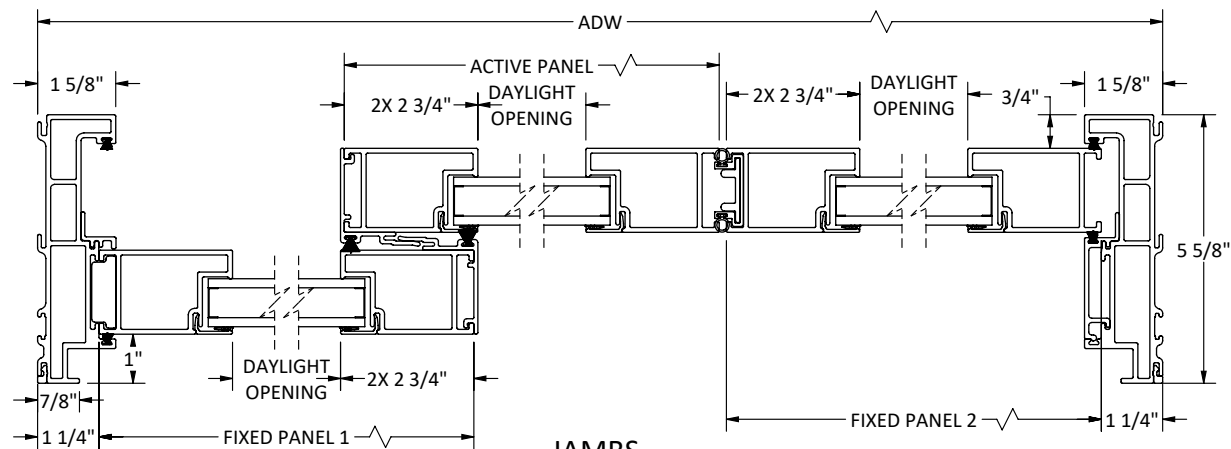
OXO_L C700 SGD



HEAD & SILL



HEAD & SILL



JAMBS