

Cross Section Drawing

C700 SGD 5-5/8" FRAME 1.0" FIN WITH STUCCO



CAD File Scale
NTS

View
Horizontal & Vertical

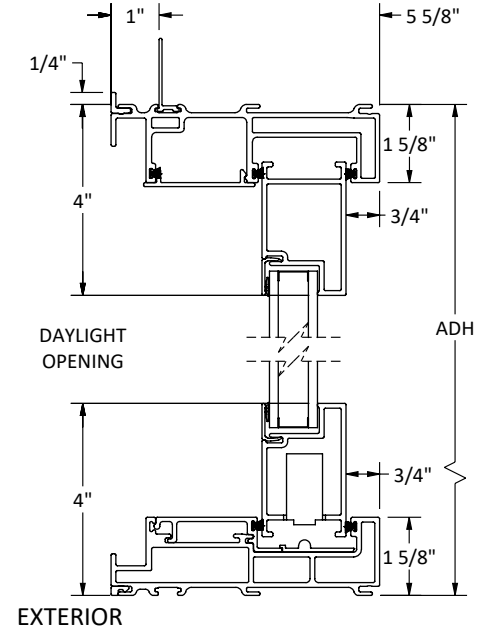
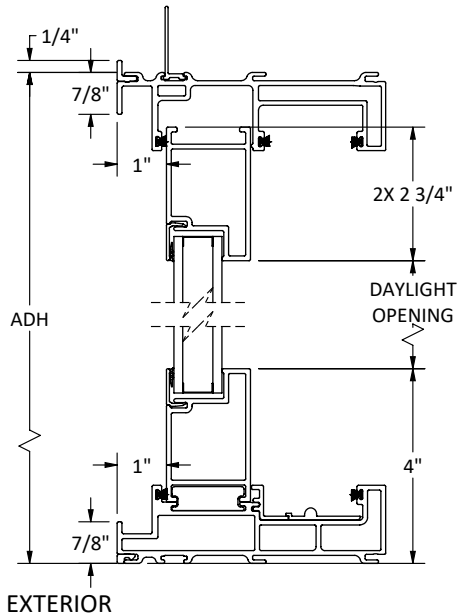
File name
OXO_L A8 C700 SGD 1.0 FIN WITH STUCCO 3-SIDE 12610-03

Units
Inch

Date
02/18/26

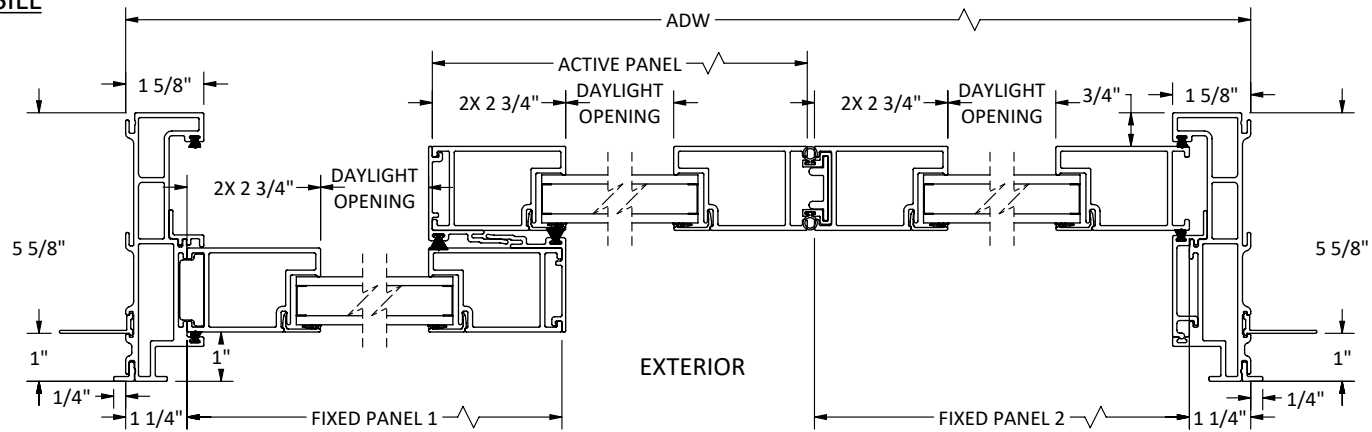
More Technical Documents can be found at milgard.com/professionals
Due to continual research and development, details may be changed at any time. (C) 2023 Milgard Mfg.

OXO_L C700 SGD



HEAD & SILL

HEAD & SILL



JAMBS