

Cross Section Drawing

C700 SGD 5-5/8" FRAME 1.375" FIN WITH ACCESSORY GROVE FILLER

CAD File Scale
NTS

View
Horizontal & Vertical

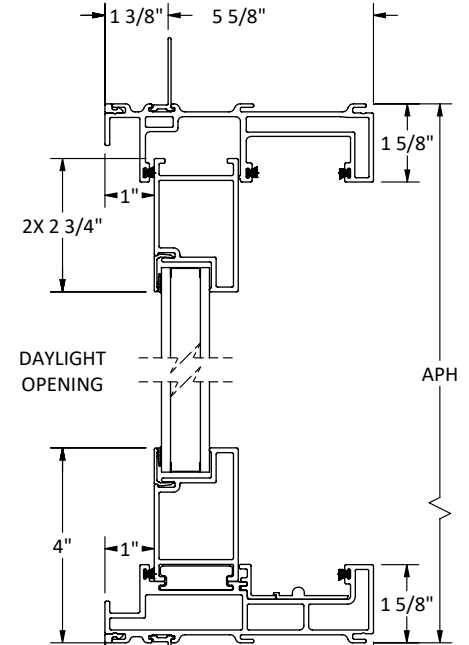
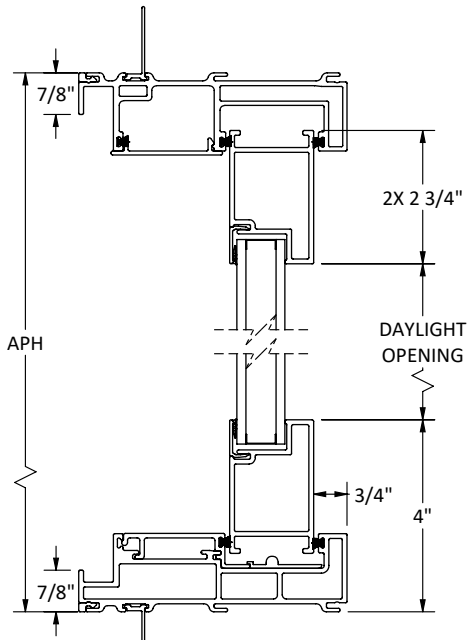
File name
OXO_R A2 C700 SGD 1.375 FIN WITH ACCESSORY 12610-04

Units
Inch

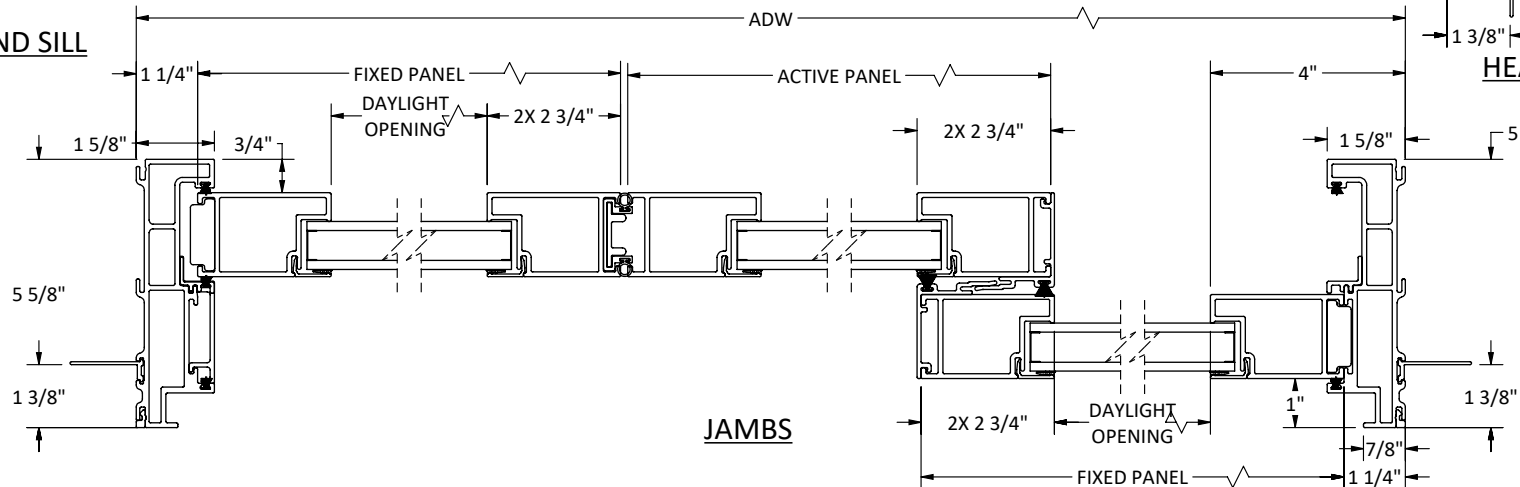
Date
02/17/26

More Technical Documents can be found at milgard.com/professionals
Due to continual research and development, details may be changed at any time. (C) 2023 Milgard Mfg.

OXO_R C700 SGD



HEAD AND SILL



JAMBS

HEAD AND SILL