

Cross Section Drawing

C700 SLIDING GLASS DOOR OXO_R
5-5/8" FRAME 1.375" FIN 3-SIDE WITH ACCESSORY GROVE FILLER

CAD File Scale
NTS

View
Horizontal & Vertical

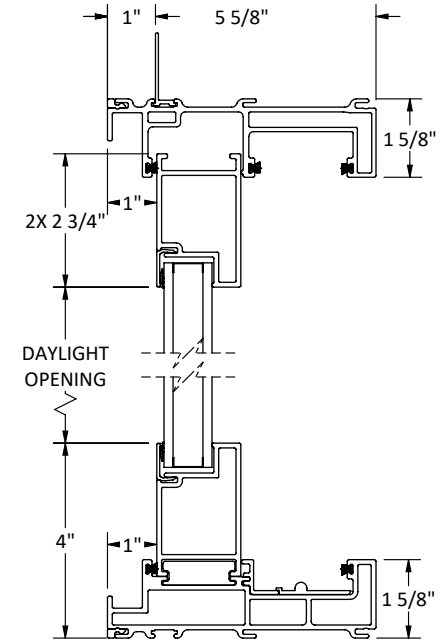
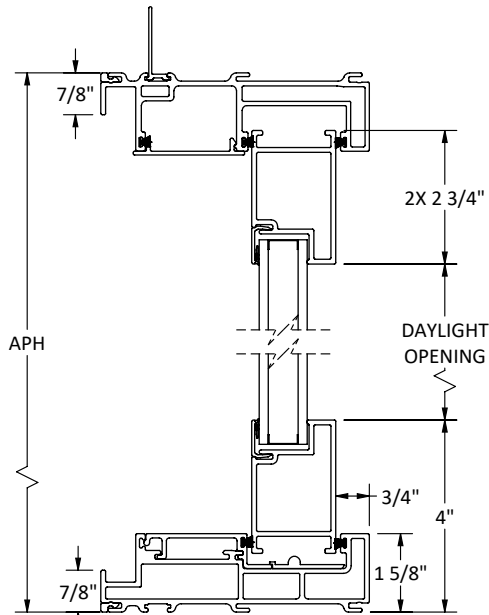
File name
OXO_R A6 C700 SGD 1.375 FIN WITH ACCESS 3-SIDE 12610-04

Units
Inch

Date
02/18/26

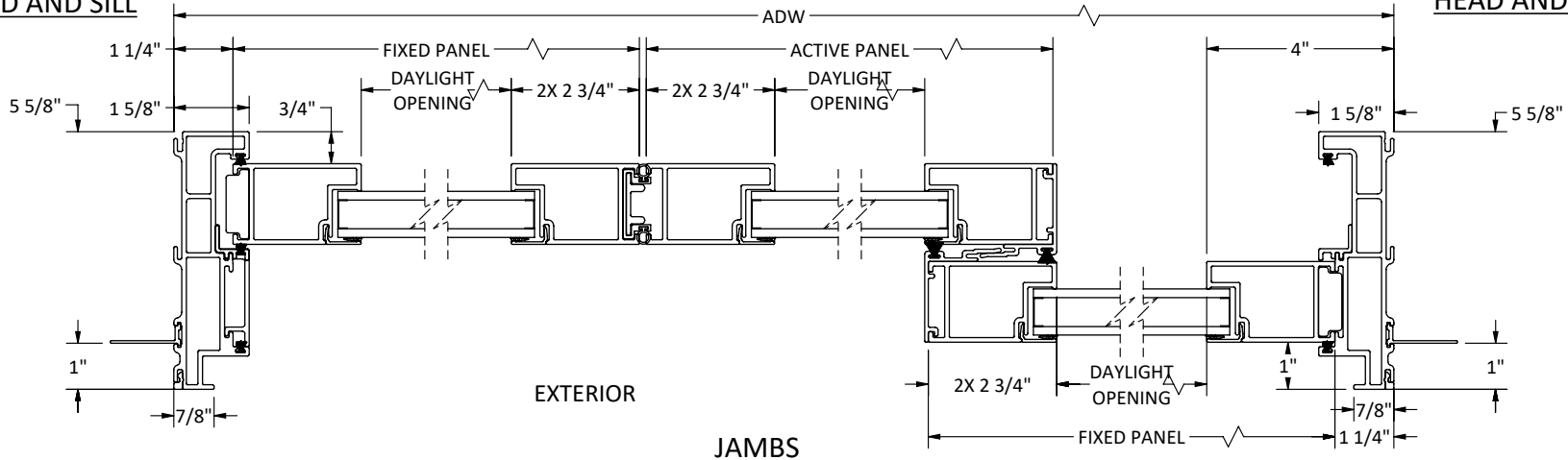
More Technical Documents can be found at milgard.com/professionals
Due to continual research and development, details may be changed at any time. (C) 2023 Milgard Mfg.

OXO_R
C700 SGD



EXTERIOR
HEAD AND SILL

EXTERIOR
HEAD AND SILL



EXTERIOR

JAMBS