

Cross Section Drawing

C700 SGD

5-5/8" 1.0" FIN WITH STUCCO KEY 3-SIDE

CAD File Scale
NTS

View
Horizontal & Vertical

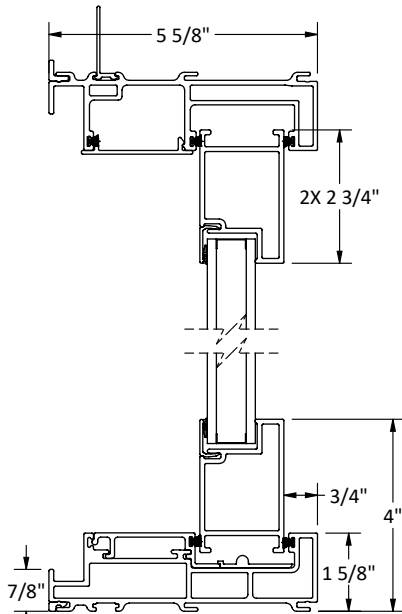
File name
OXO_R A8 C700 SGD 1.0 FIN WITH STUCCO 3-SIDE 12610-04

Units
Inch

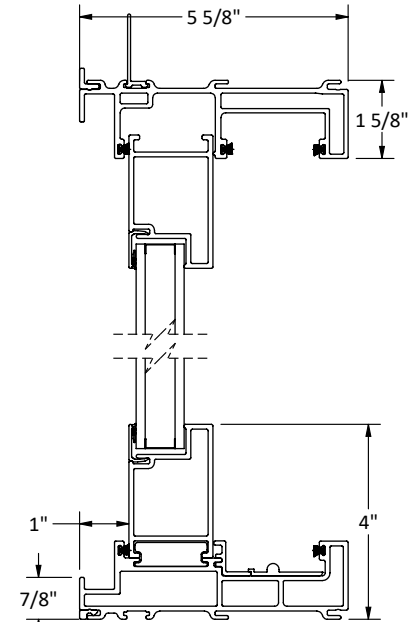
Date
02/18/26

More Technical Documents can be found at milgard.com/professionals
Due to continual research and development, details may be changed at any time. (C) 2023 Milgard Mfg.

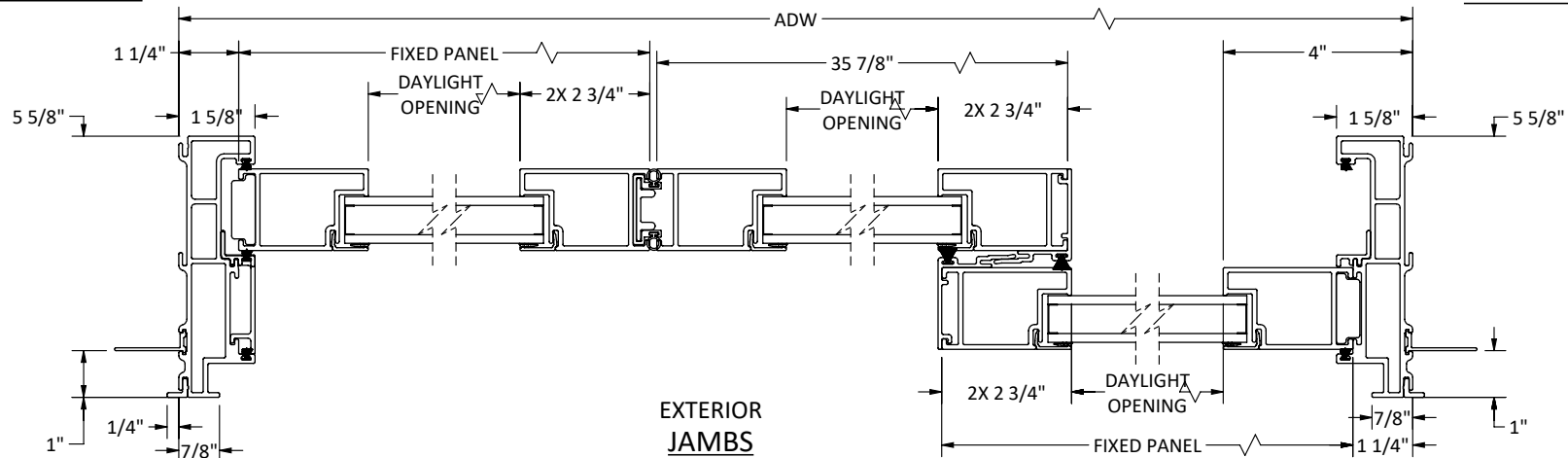
OXO_R
C700 SGD



EXTERIOR
HEAD AND SILL



EXTERIOR
HEAD AND SILL



EXTERIOR
JAMBS