

Cross Section Drawing

C700 SGD 5-5/8" FRAME WITH 1.375" STUCCO



CAD File Scale
NTS

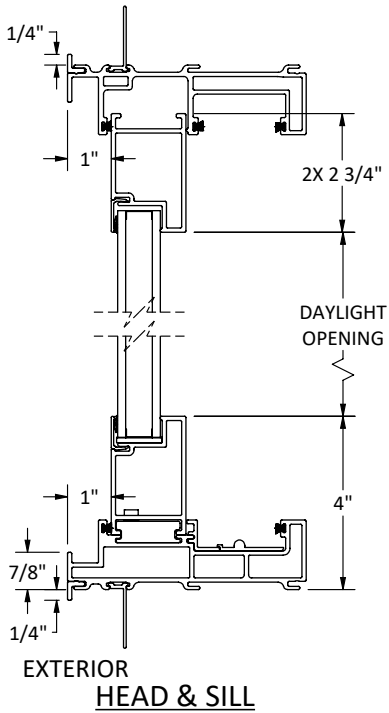
View
Horizontal & Vertical

File name
OXXO_L A3 C700 SGD 1.375 FIN WITH STUCCO 12610-08

Units
Inch

Date
02/12/26

More Technical Documents can be found at milgard.com/professionals
Due to continual research and development, details may be changed at any time. (C) 2023 Milgard Mfg.



OXXO_L C700 SGD

