

Cross Section Drawing

C700 SGD 5-5/8" FRAME 1.0" FIN WITH STUCCO



CAD File Scale
NTS

View
Horizontal & Vertical

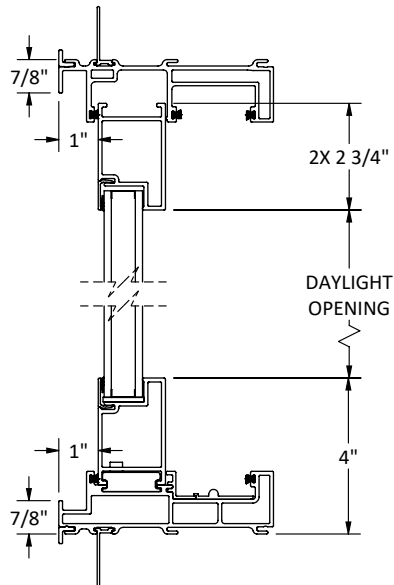
File name
OXXO_L A4 C700 SGD1.0 FIN WITH STUCCO 12610-08

Units
Inch

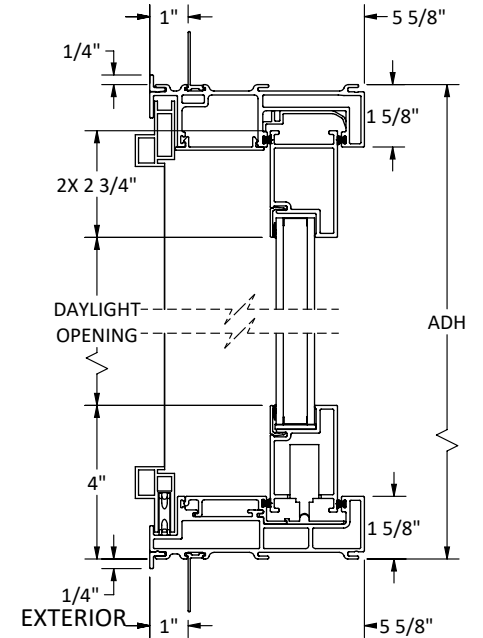
Date
02/12/26

More Technical Documents can be found at milgard.com/professionals
Due to continual research and development, details may be changed at any time. (C) 2023 Milgard Mfg.

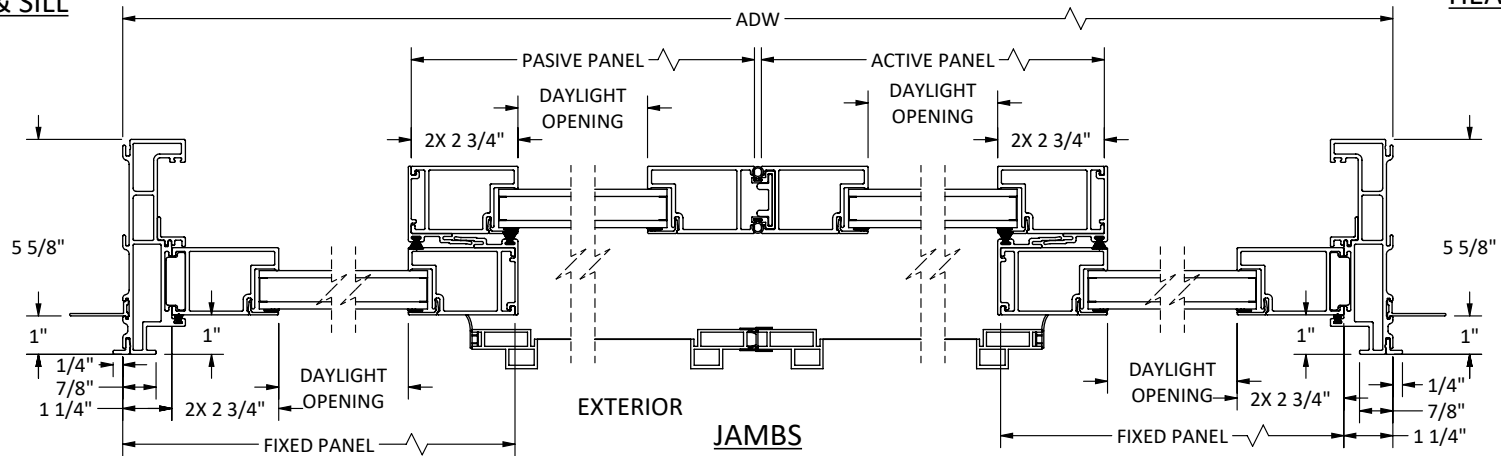
OXXO_L C700 SGD



EXTERIOR
HEAD & SILL



HEAD & SILL



EXTERIOR
JAMBS