

Cross Section Drawing

C700 SGD
5-5/8" FRAME 1.375" 3-SIDE WITH ACCESSORY GROVE FILLER

CAD File Scale
NTS

View
Horizontal & Vertical

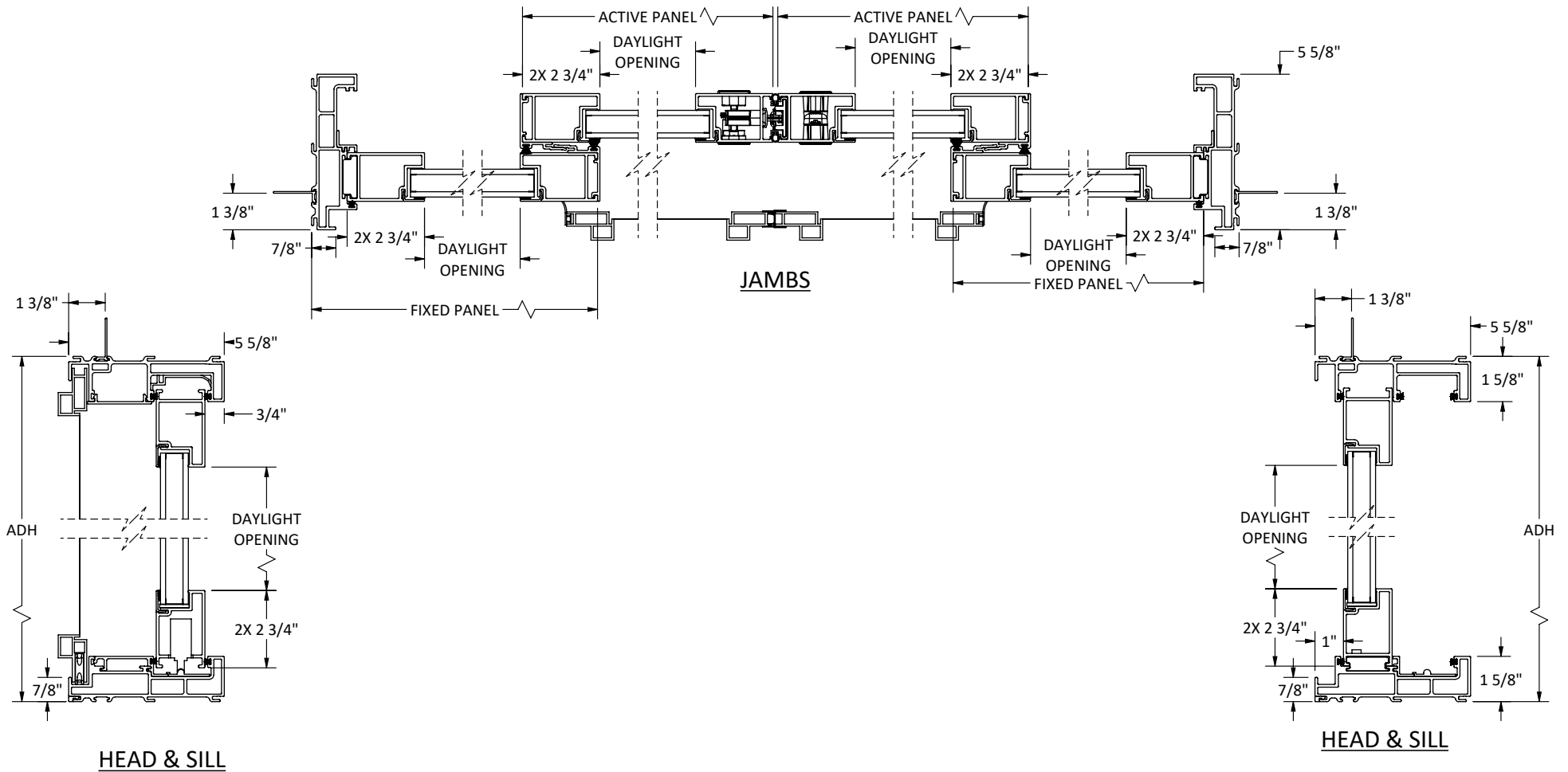
File name
OXXO_L A6 C700 SGD 1.375 WITH ACCESSORY 3-SIDES 12610-08

Units
Inch

Date
02/12/26

More Technical Documents can be found at milgard.com/professionals
Due to continual research and development, details may be changed at any time. (C) 2023 Milgard Mfg.

OXXO_L
C700 SGD



Cross Section Drawing

C700 SGD

5-5/8" FRAME 1.375" 3-SIDE WITH ACCESSORY GROVE FILLER

CAD File Scale
NTS

View
Horizontal & Vertical

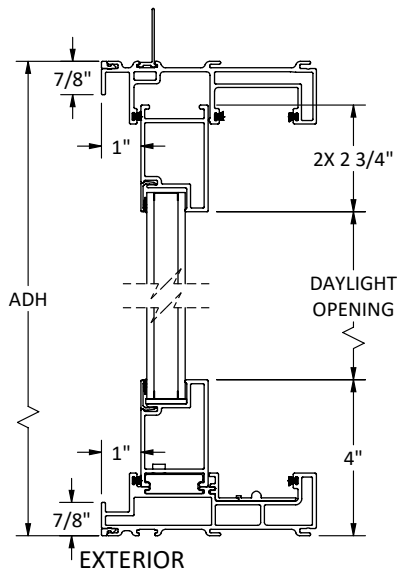
File name
OXXO_L A6 C700 SGD 1.375 FIN WITH ACCESSORY 3-SIDES 12610-08

Units
Inch

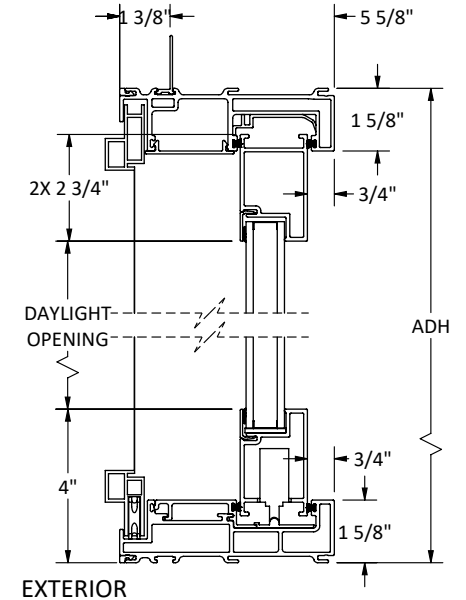
Date
02/18/26

More Technical Documents can be found at milgard.com/professionals
Due to continual research and development, details may be changed at any time. (C) 2023 Milgard Mfg.

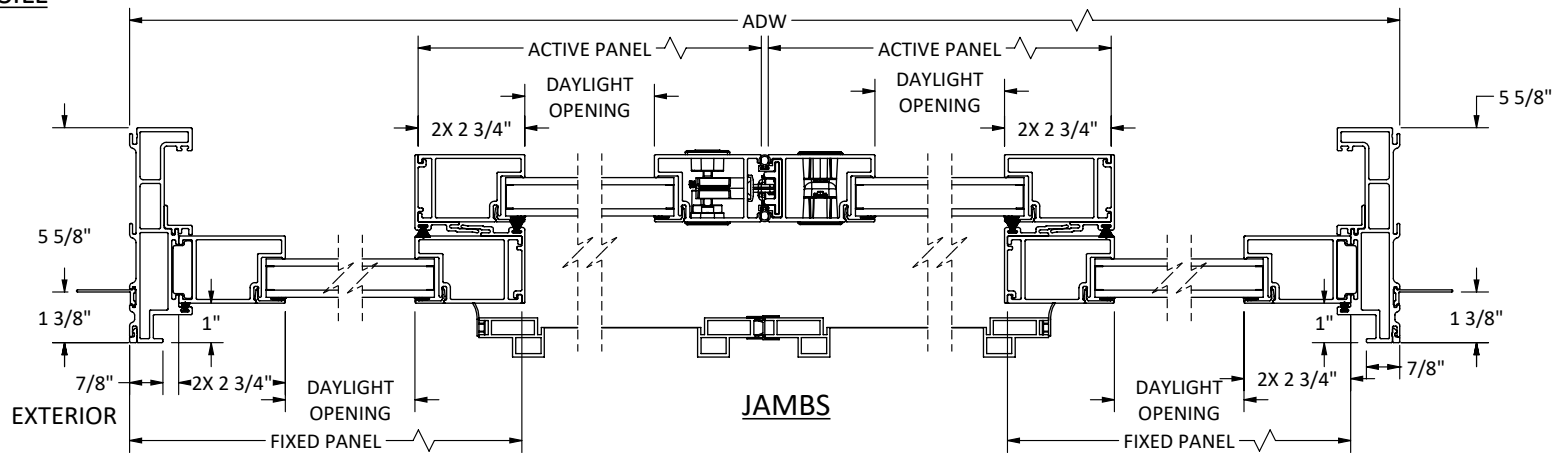
OXXO_L C700 SGD



HEAD & SILL



HEAD & SILL



JAMBS