

Cross Section Drawing

C700 SGD

5-5/8" FRAME 1.0" FIN WITH STUCCO KEY 3-SIDE

CAD File Scale
NTS

View
Horizontal & Vertical

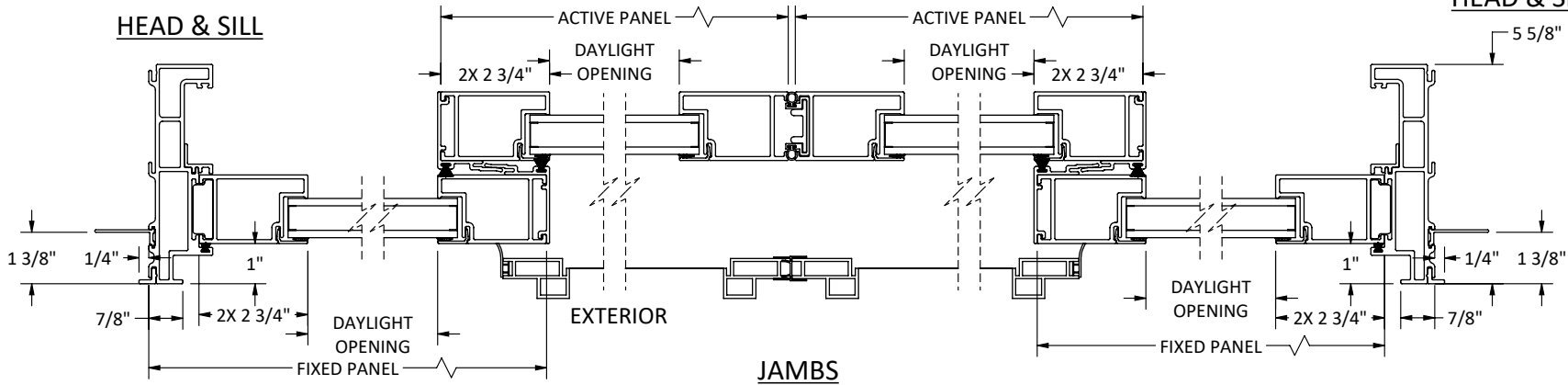
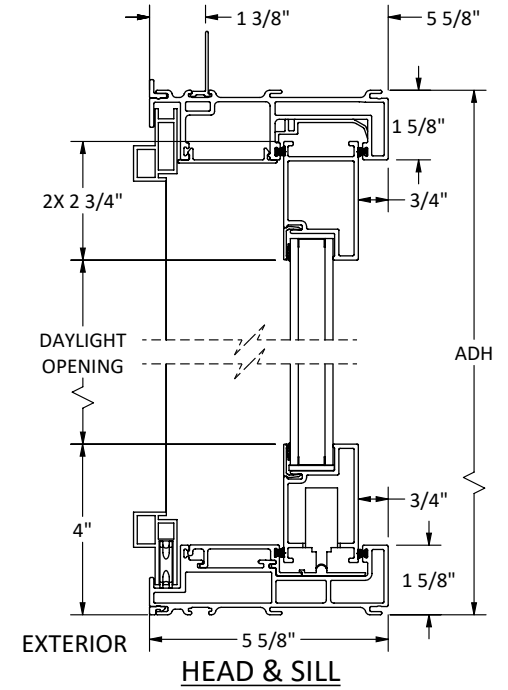
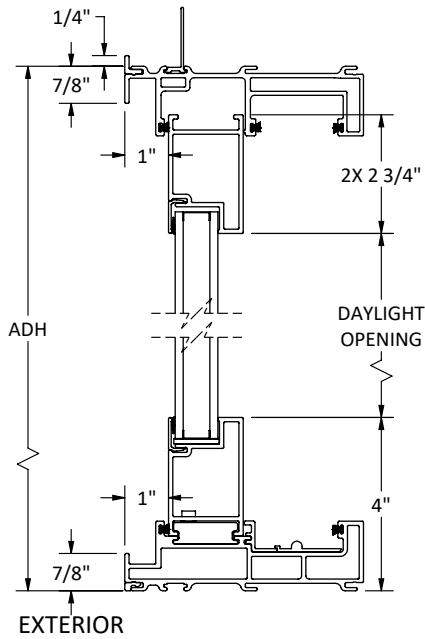
File name
OXXO_L A8 C700 SGD 1.0 FIN WITH STUCCO 3-SIDES 12610-08

Units
Inch

Date
02/12/26

More Technical Documents can be found at milgard.com/professionals
Due to continual research and development, details may be changed at any time. (C) 2023 Milgard Mfg.

OXXO_L
C700 SGD



Cross Section Drawing

C700 SGD

5-5/8" FRAME 1.375" FIN WITH STUCCO 3-SIDES



CAD File Scale
NTS

View
Horizontal & Vertical

File name
OXXO_L A7 C700 SGD 1.375 FIN WITH STUCCO 3-SIDES 12610-08

Units
Inch

Date
02/18/26

More Technical Documents can be found at milgard.com/professionals
Due to continual research and development, details may be changed at any time. (C) 2023 Milgard Mfg.

OXXO_L C700 SGD

