

Cross Section Drawing

C700 SGD

5-5/8" FRAME 1.375" FIN 3-SIDES WITH STUCCO 3-SIDE



CAD File Scale  
NTS

View  
Horizontal & Vertical

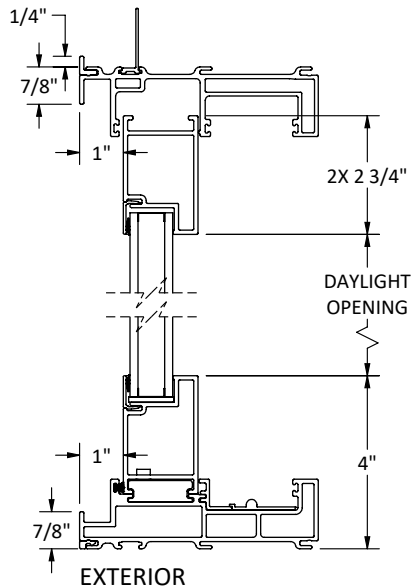
File name  
OXXO\_R A7 C700 SGD 1.375 FIN WITH STUCCO 3-SIDE 12610-07

Units  
Inch

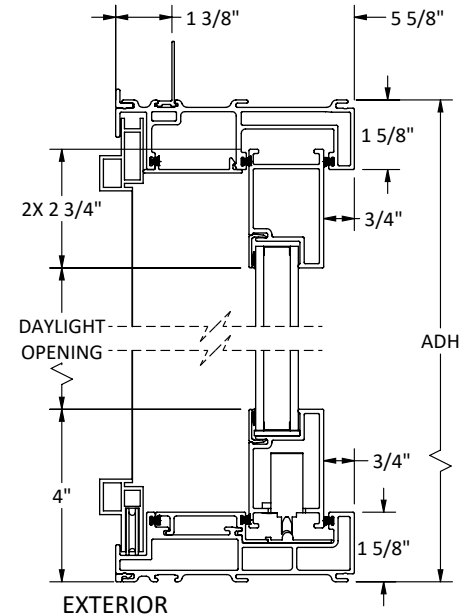
Date  
02/12/26

More Technical Documents can be found at [milgard.com/professionals](http://milgard.com/professionals)  
Due to continual research and development, details may be changed at any time. (C) 2023 Milgard Mfg.

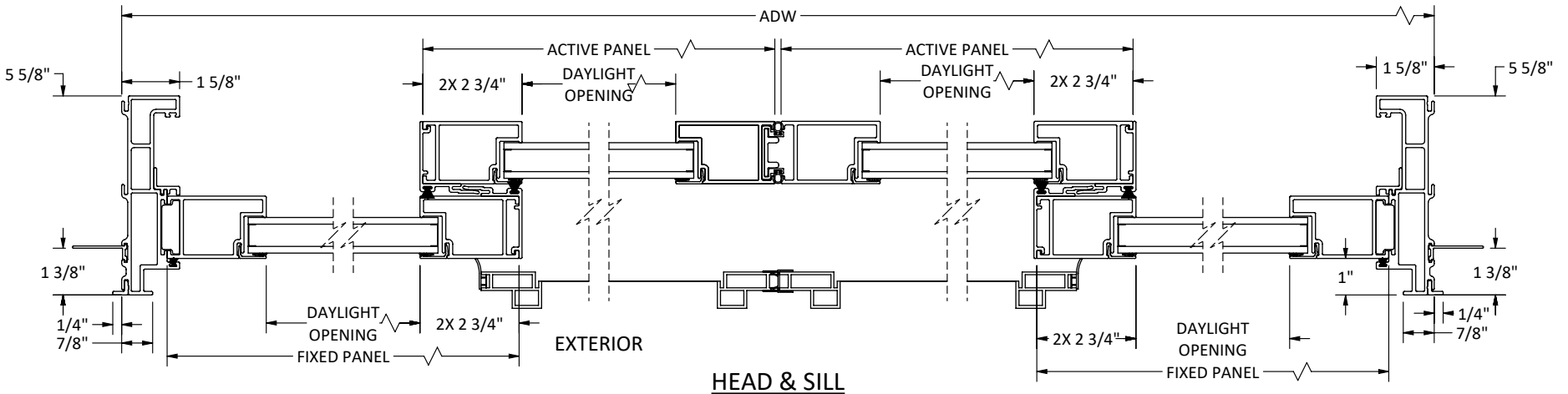
OXXO\_R  
C700 SGD



HEAD & SILL



HEAD & SILL



HEAD & SILL