

# Cross Section Drawing

## C700 SGD

### 5-5/8" FRAME 1.375" FIN WITH STUCCO

CAD File Scale  
NTS

View  
Horizontal & Vertical

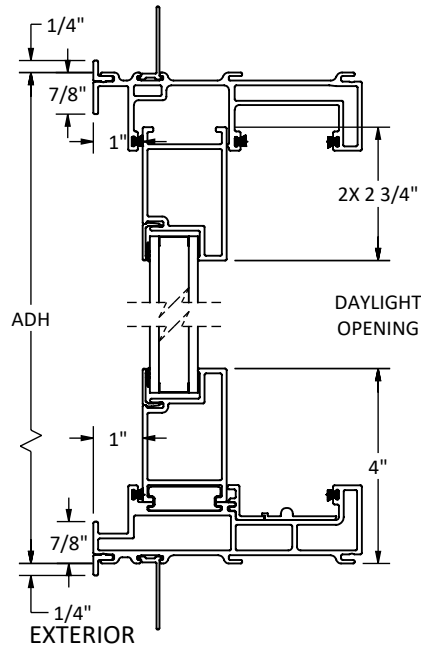
File name  
XO A3 C700 SGD 1.375 FIN WITH STUCCO 12610-01

Units  
Inch

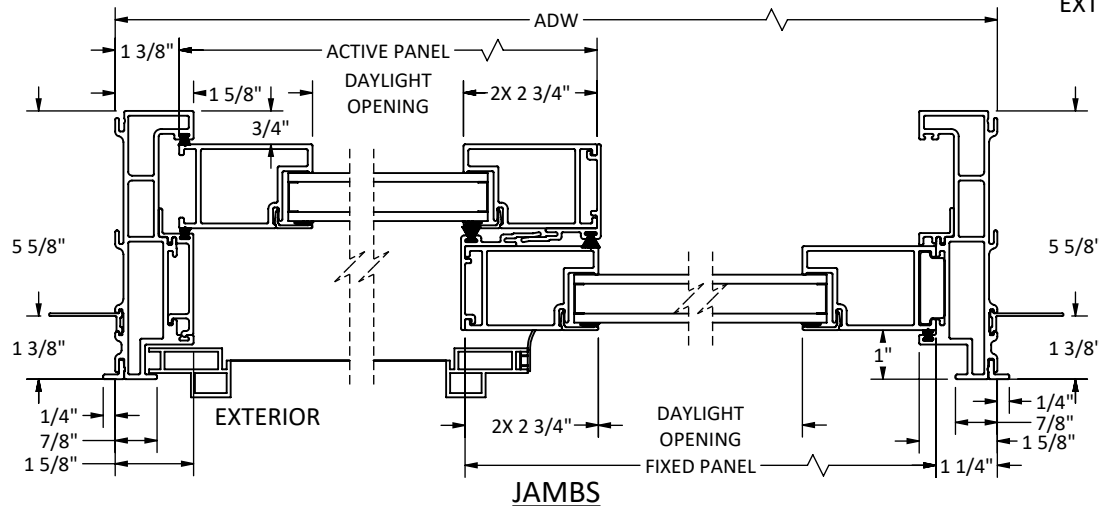
Date  
02/18/26

More Technical Documents can be found at [milgard.com/professionals](http://milgard.com/professionals)  
Due to continual research and development, details may be changed at any time. (C) 2023 Milgard Mfg.

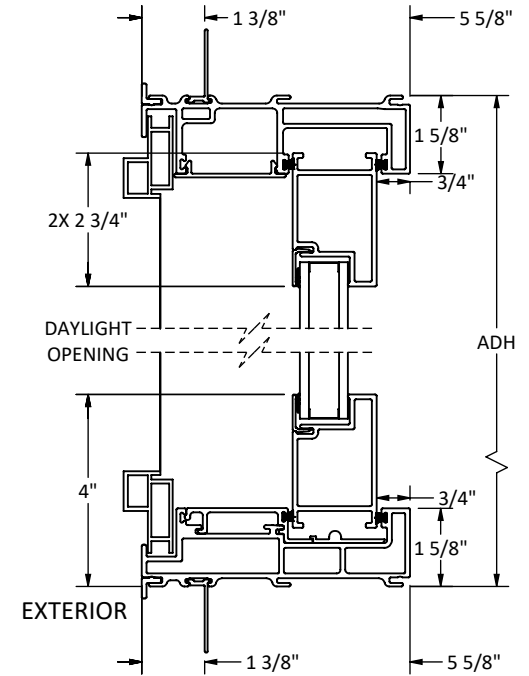
### XO C700 SGD



HEAD & SILL



JAMBS



HEAD & SILL