

Cross Section Drawing

C700 SGD

5-5/8" FRAME 1.375" FIN WITH STUCCO



CAD File Scale
NTS

View
Horizontal & Vertical

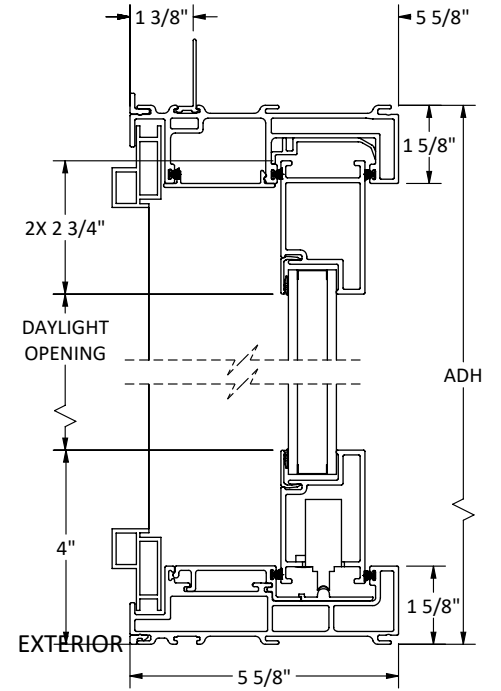
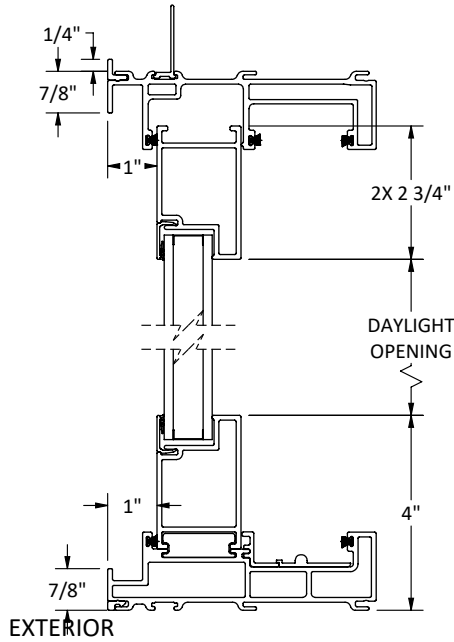
File name
XOO A7 C700 SGD 1.375 FIN WITH STUCCO 3-SIDE 12610-05

Units
Inch

Date
02/18/26

More Technical Documents can be found at milgard.com/professionals
Due to continual research and development, details may be changed at any time. (C) 2023 Milgard Mfg.

XOO C700 SGD



HEAD & SILL

HEAD & SILL

