

Cross Section Drawing

C700 SGD 5-5/8" FRAME 1.0" FIN WITH STUCCO KEY 3-SIDES



CAD File Scale
NTS

View
Horizontal & Vertical

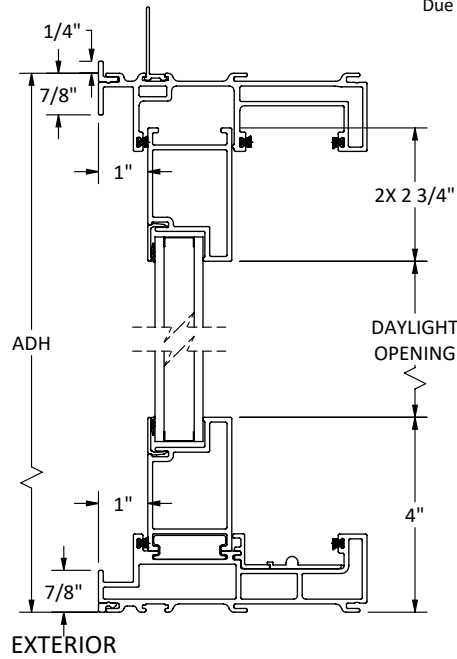
File name
XOO A8 C700 SGD 1.0 FIN WITH STUCCO 3-SIDE 12610-05

Units
Inch

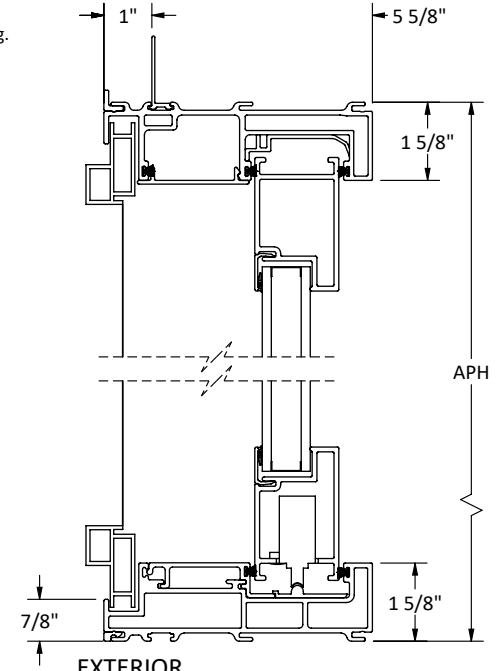
Date
02/18/26

More Technical Documents can be found at milgard.com/professionals
Due to continual research and development, details may be changed at any time. (C) 2023 Milgard Mfg.

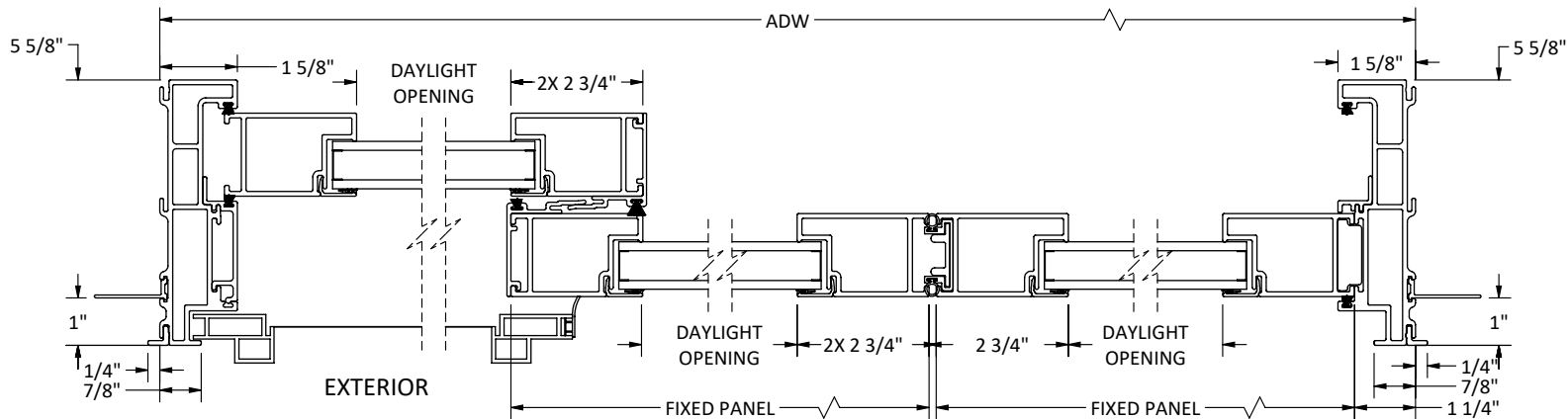
XOO C700 SGD



HEAD & SILL



HEAD & SILL



JAMB