

Cross Section Drawing

Ultra Low Sill Outswing Door, ADA Compliant option 1 3/8" Nailfin Setback



Clearly the best.™

CAD File Scale
NTS

View
Horizontal & Vertical

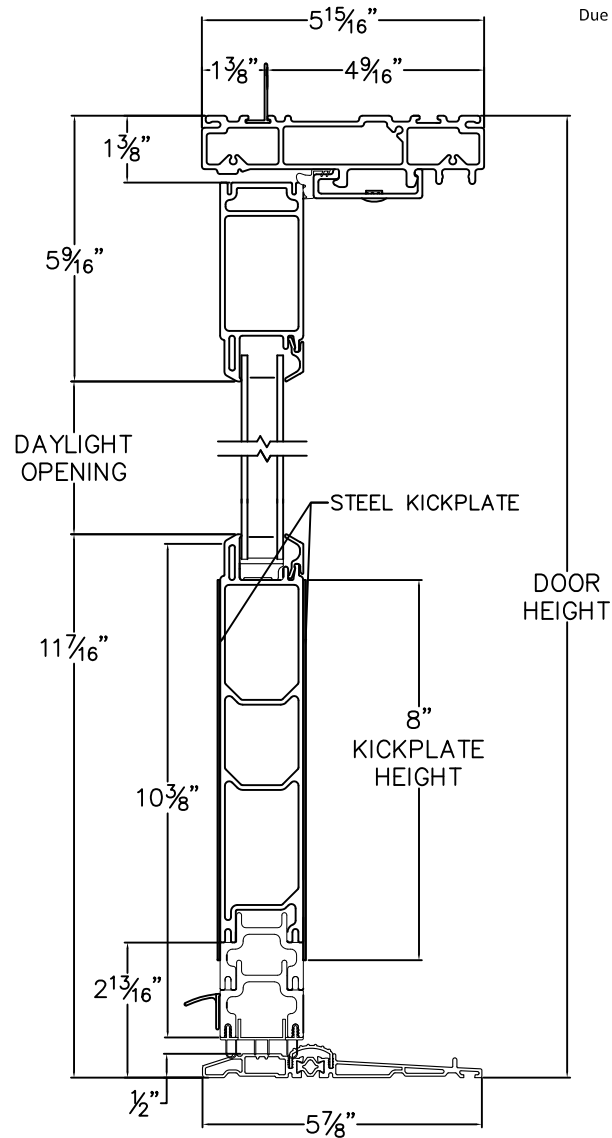
File Name
Ultra_3945U_OS_low_sill_ADA_X_1.375in

Units
Inch

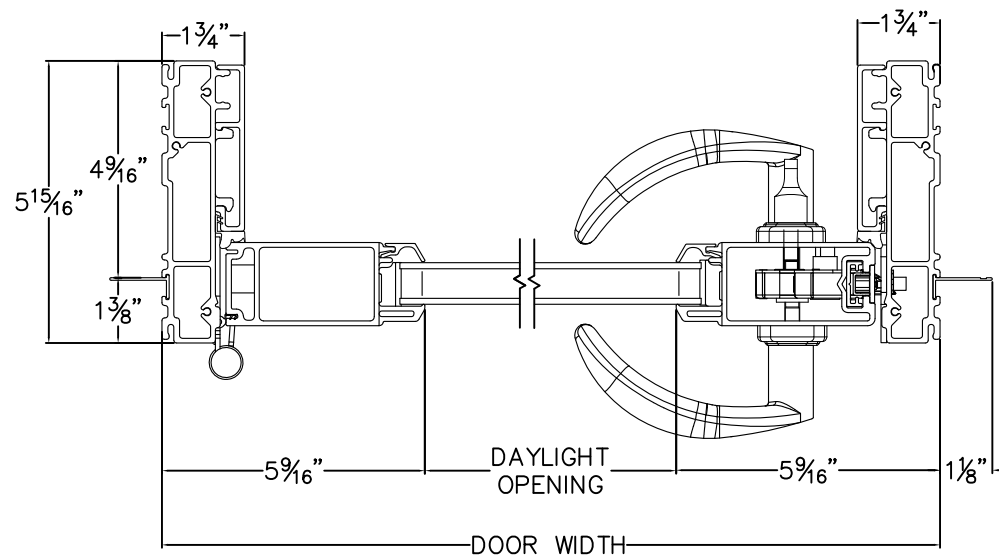
More Technical Documents can be found at milgard.com/professionals
Due to continual research and development, details may be changed at any time. ©2013 Milgard Mfg.

OUTSWING DOOR SERIES 3945U

Shown with ADA Compliant Handle



HEAD & SILL



JAMBS