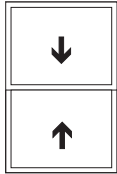
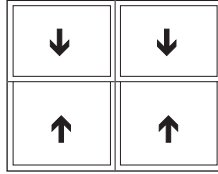


Double Hung Windows

Montecito™ New Construction Window



Double-Hung

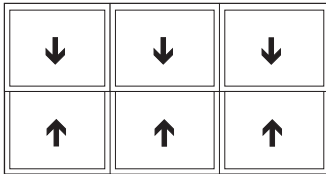


Double Double-Hung

- **DOUBLE-HUNG**
 - Min 1°2° Max 4°7°
- **DOUBLE DOUBLE-HUNG**
 - Min 3°2° Max 6°7°
- **TRIPLE DOUBLE-HUNG**
 - Min 4°2° Max 9°7°



Double Double-Hung/Center Lite



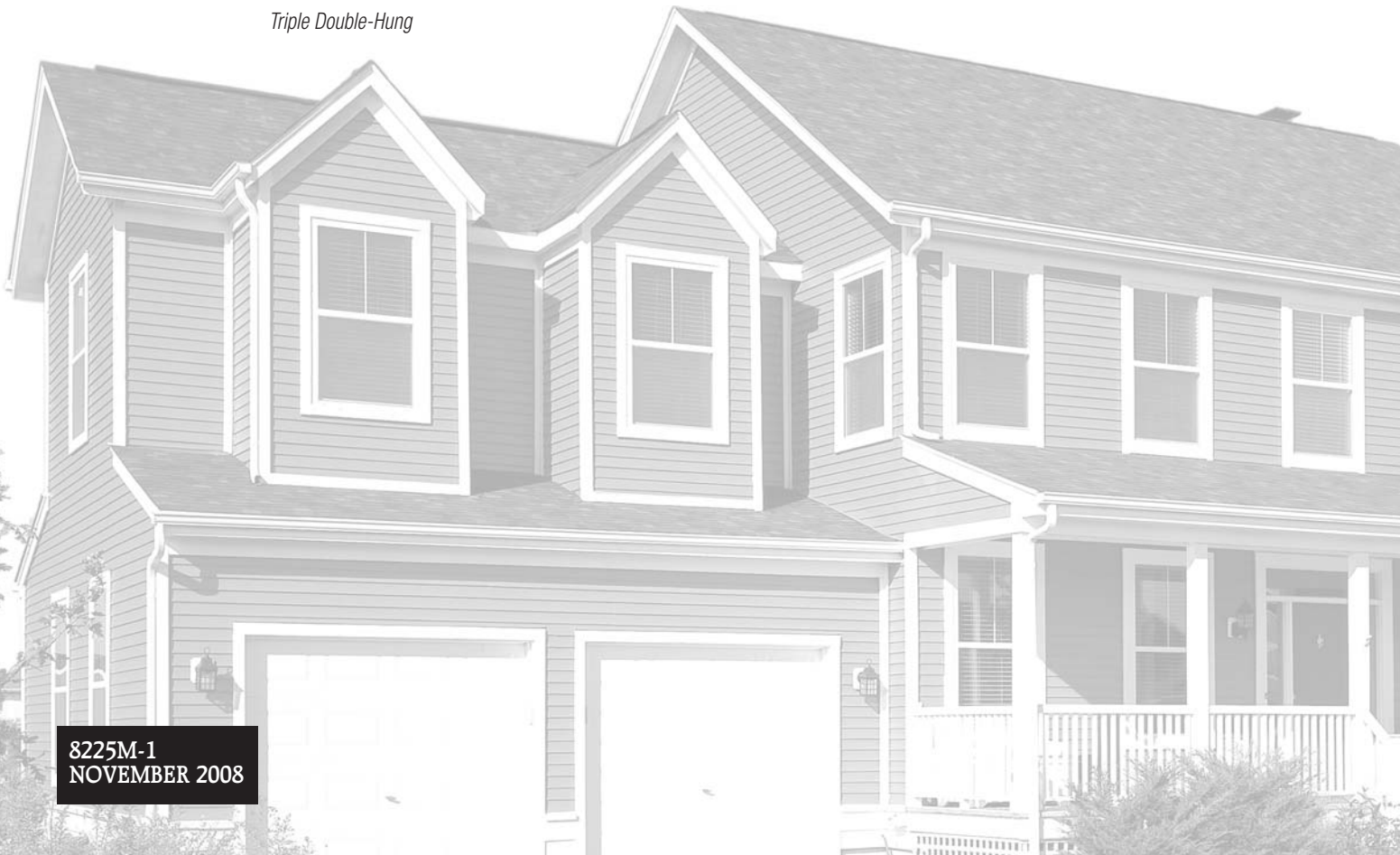
Triple Double-Hung

Minimum egress is 3°5° with a center bar set or 2°6° with a center bar set.

DH vent set: 1/2 window height

NOTE: For engineering approval contact your Milgard representative for any configuration over 40 square feet. Each Milgard Manufacturing plant reserves the right to alter or change sizes and configurations according to location capabilities. Ask your Milgard rep about specialty applications.

Windows over 40 square feet shipped open for field glazing. Varies by location.



Double Hung Windows

Montecito™ New Construction Window



The Montecito Series Double Hung is designed for New Construction. The standard Double Hung frame is 3 1/4" deep and comes with a 1 3/4" tall nail fin at a 1 3/8" setback. We also offer two different J Channel trim options for exterior siding installations.

The Montecito Double Hung gives you a high quality window with contemporary styling details and outstanding energy performance. They are available in White or Tan frames. The durable vinyl frames are virtually maintenance free and will never need painting or staining. We build your windows to your exact size and specifications, at NO extra charge.

Double Hung windows made in our Western locations have a pocket sill design. Double Hungs made in our Mid-West location feature a more traditional sloped sill design. The following pages illustrate the pocket sill version.

Both the upper and lower sash tilt in for easy clean-

ing. The Montecito sash operate smoothly on block and tackle sash balances and are counterbalanced to stay where you open them. Montecito Double Hungs feature our exclusive SmartTouch™ lock. They also have our unique upper sash detents which help hold the upper sash closed, making for easier locking. We have a patent pending for both of these Milgard innovations.

Like all Milgard windows, patio doors and skylights, the Montecito carries a Full Lifetime Warranty to the original, single family homeowner, covering both materials and labor. The Milgard Warranty is fully transferable for up to ten years. For more information, locate our clearly the best one-page warranty on our website at milgard.com.

Commercial and multi-family or apartment projects are covered by a 10 year Warranty from the date of manufacture, covering all materials and labor, including the glass unit(s).

Double Hung Windows

Montecito™ New Construction Window

CONFIGURATIONS

The Tuscany Series Double Hung gives you a unique high & low ventilation with both sashes operable. They can be ordered as individual windows, in double or triple wide combinations or even mullied to Picture Windows for additional architectural appeal.

COMPONENTS

FRAME

Montecito is available in a variety of frame and trim choices. The 3-1/4" deep nail on frame is ideal for both New Construction and Replacement installations. We offer a standard nail fin frame for New Construction, and a block frame with nail fin removed for insert replacement, welded into the frame, for stucco exterior Replacement applications.

Frame components are made of a high performance uPVC, rigid polyvinyl chloride material, custom compounded for superior impact resistance, color retention and weather resistance. The frame and sash corners are all precision mitered and fusion welded for a lifetime of air and water resistance.

The Montecito product line meets or exceeds the AAMA/WDMA/CSA 101/I.S.2/A 440-05 Industry Specification for Windows and Doors. They are also tested for Forced Entry Resistance to the ASTM F588-97 standard, Grade 20 level. Each window is labeled with the NFRC Energy Star performance information, based on the type of glazing you select.

AVAILABLE FRAME STYLES*

Montecito offers both New Construction and Replacement installation frames with specific features for each installation process.

INCLUDES NAIL-ON FIN:

- 8225M 1-3/8" Nail Fin Setback
1-3/8" Nail Fin Setback, 2" Long Nail Fin with Optional:
Flat J-Channel
1" Contoured J-Channel
2" Brickmold-style J-Channel

**Not all frame styles available at all Milgard locations.
Contact your sales representative for more information.*

NAIL-ON FIN

(1-1/4" OR 2" FIN WIDTHS AVAILABLE)

A pre-punched nail flange extends around the perimeter frame, securing the window in rough openings and acting as a part of the flashing system.

FIN SETBACKS ARE AVAILABLE IN:

- 1-3/8" nail fin setback (1-1/4" or 2" pre-punched nail flange)
- 1" nail fin setback with stucco key (1-1/4" pre-punched nail flange)

The 2" pre-punched nail flange frame also has an exterior accessory groove which allows for optional J-channel trim:

- 2" Brickmold
- 1" Contour
- 3/4" Flat

The 2" brickmold is sent separately to the field with the window, and snapped in-place after window installation. The 1" contour and 3/4" flat options are welded in place at the factory. All trim options are extruded by Milgard and are available in white and tan.

WEEP SYSTEM

Hollow sill construction and offset weep baffles release any accumulated moisture from the sill pockets and help prevent blow back, and helps control the water flow caused by a combination of wind and rain.

GLAZING MATERIAL

AAMA-approved glazing tape adheres glass to the fixed and vent panel frames which seals and cushions the glass. Rigid vinyl setting blocks are used to support the unit above the sill, preventing glass shear (glass in the insulated unit becomes offset).

Extruded vinyl glazing (snap-in) bead is applied around the interior edge. "Interior glazing" makes replacement of glazing unit convenient; bead is mitered at 45 degree for a finished look. Insulated dual glazed panes have a 7/8" over all glass thickness and are dual sealed equivalent for optimal energy efficiency. All Tuscany™ windows currently meet or exceed EnergyStar® performance in all climate zones with a 0.35 u-factor or lower. Specialty glass options are available upon request which can help achieve as much as a 26% improvement in u-factor. Specialty glass options for privacy, noise abatement and aesthetics are available upon request.

WEATHERSTRIPPING

Silicone-treated water-repellent polypropylene fin seal weatherstripping provides a durable, weather tight seal. The weatherstripping is installed in an integral, continuous keyway around 3-sides of the vent and on the fixed interlock.

LOCKING ASSEMBLY

Milgard's exclusive patent-pending SmartTouch™ direct action lock mechanism provides security and finger-tip operation. The lock engages when the window is closed. The lock offers a visual indicator that when the window is closed, it is also locked. The SmartTouch™ lock is unlike most locking mechanisms available today as it requires

Double Hung Windows

Montecito™ New Construction Window

no squeezing or twisting to operate, making it ideal in designs for the aging in place.

SCREEN

Milgard's exclusive PureView™ screen frames are cambered aluminum, assembled with rigid nylon corner clips. Screens come standard with matching frame color. Optional finger pull rail on screen for easy removal. PureView's innovative screen uses smaller diameter yarn, improving the interior view. The finer mesh also reduces the appearance of a screen, enhancing curb appeal. PureView's fiberglass charcoal screen mesh is strong, durable and easy to replace. All screens are under one year warranty.

ENERGY PACKAGES

Milgard offers two energy efficiency upgrade packages that offer increased U-Value performance. 3D™ and 3D MAX™ use the ENERGY STAR® criteria from each climate zone and utilize materials that are tailored to each individual climate to increase energy efficiency. The combination of the frame material, product design and glazing unit make up the 3 components of the energy packages. The Montecito Series receives up to 23% increase in energy efficiency with the 3D MAX package.

Note:

- Packages available in most markets. Please see your local sales representative for details.
- 3D and 3D MAX energy packages are based on insulated glass units with Single Strength (3/32") and Double Strength (1/8") glass. Some glass thicknesses and internal grid combinations may result in lower energy performance.
- 3D and 3D MAX energy packages are not included with the 8125 Double Slider, 5621WS Wide Stile Sliding Door, 8225 Double Hung when selecting grids and are currently not available in breather tube applications.

OPTIONS

GRIDS

Available in 5/8" flat or 1-1/16" sculptured aluminum profiles. Color-matched to frame. Simulated divided lite (SDL) grids are also available in some locations, using 5/8" grids between the glass panes for three-dimensional shadowing as well as 7/8" contoured vinyl grid applied to the interior and exterior glass panes.

All grids are color matched to frame in white or tan.

GLASS

Refer to glass section.

Many more options are available. Please check with your Milgard Representative.

TEST STANDARDS

See Test Reports/Energy Ratings section.

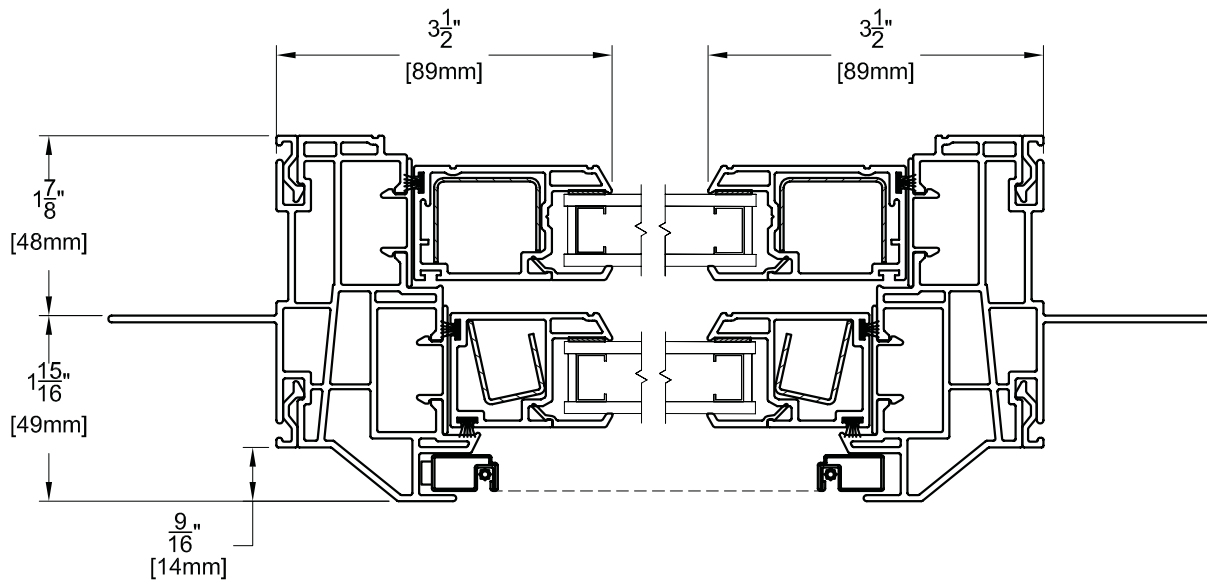
Caution: The use of petroleum based fuels or solvents as release agents in stucco wall installations or glass cleaning will chemically attack materials used in seals and other components, and voids the Milgard Warranty. The use of wax based release agents is recommended.

Expanding foam for insulation purposes should not be used. Backer rod or loose packed fiberglass bat insulation is recommended.

8225M Assembly Drawing:

1-3/8 inch (35 mm) Nail Fin Setback

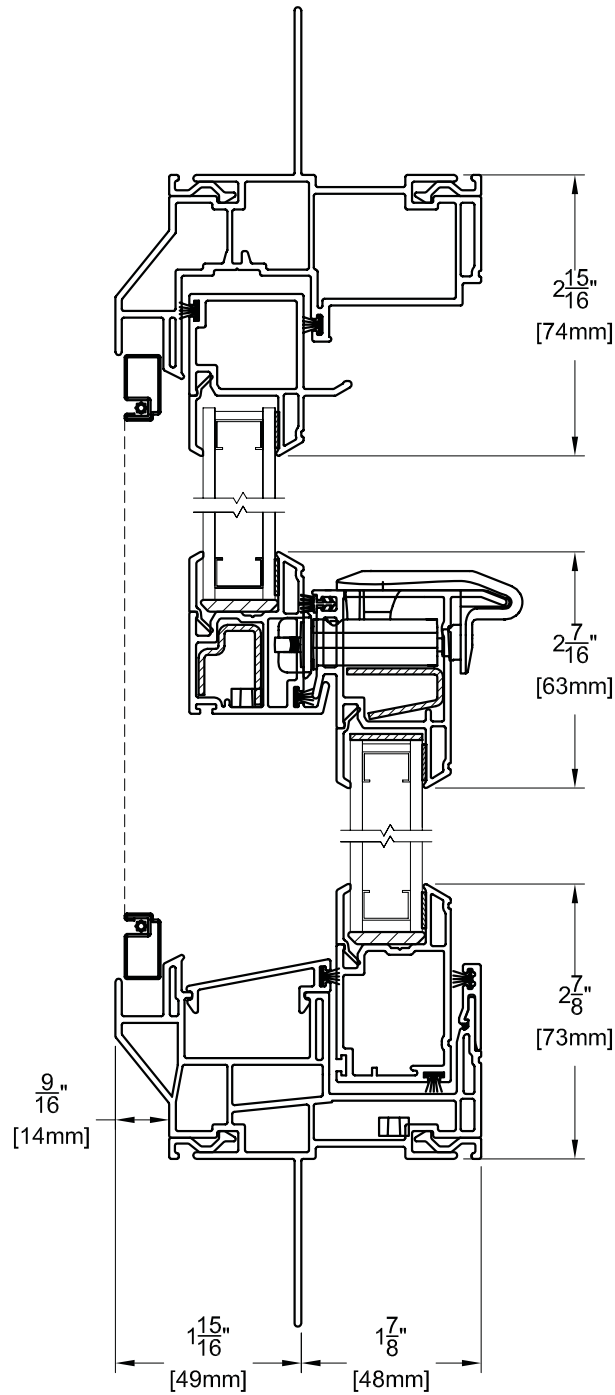
Horizontal View



8225M Assembly Drawing:

1-3/8 inch (35 mm) Nail Fin Setback

Vertical View



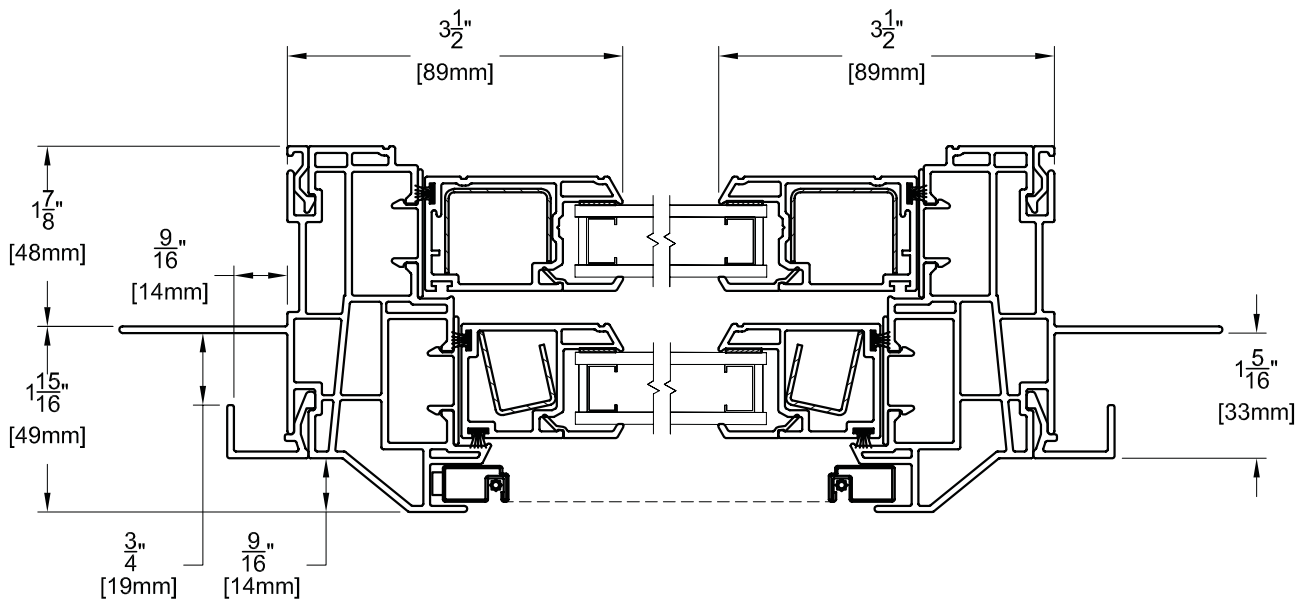
Scale: 6" = 1' (1/2 scale)

*Due to continual product research and development, details may be changed at any time. ©2008
Products shown are not available at all locations – confirm availability with your local Milgard representative.*

8225M Assembly Drawing:

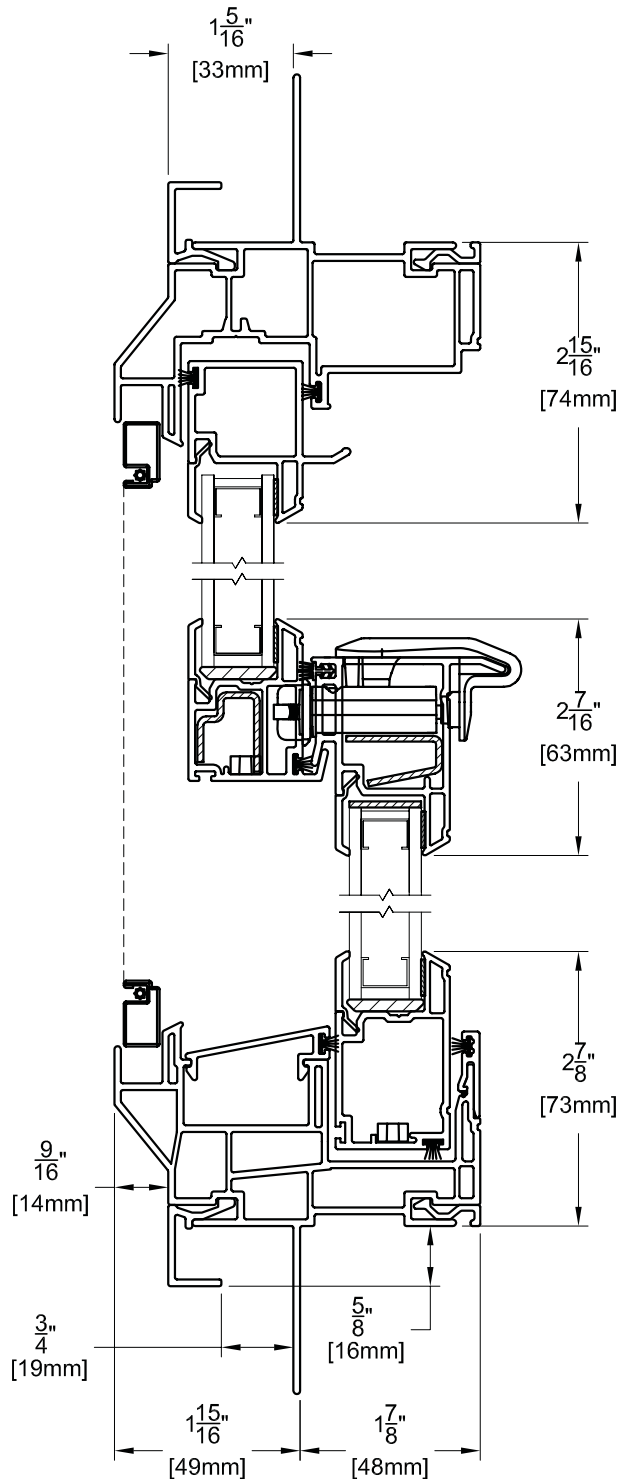
1-3/8 inch (35 mm) Nail Fin Setback, 2 inch (51 mm) Long Nail Fin with
Optional 3/4 inch (19 mm) Flat J-channel

Horizontal View



8225M Assembly Drawing:

1-3/8 inch (35 mm) Nail Fin Setback, 2 inch (51 mm) Long Nail Fin with
Optional 3/4 inch (19 mm) Flat J-channel



Vertical View

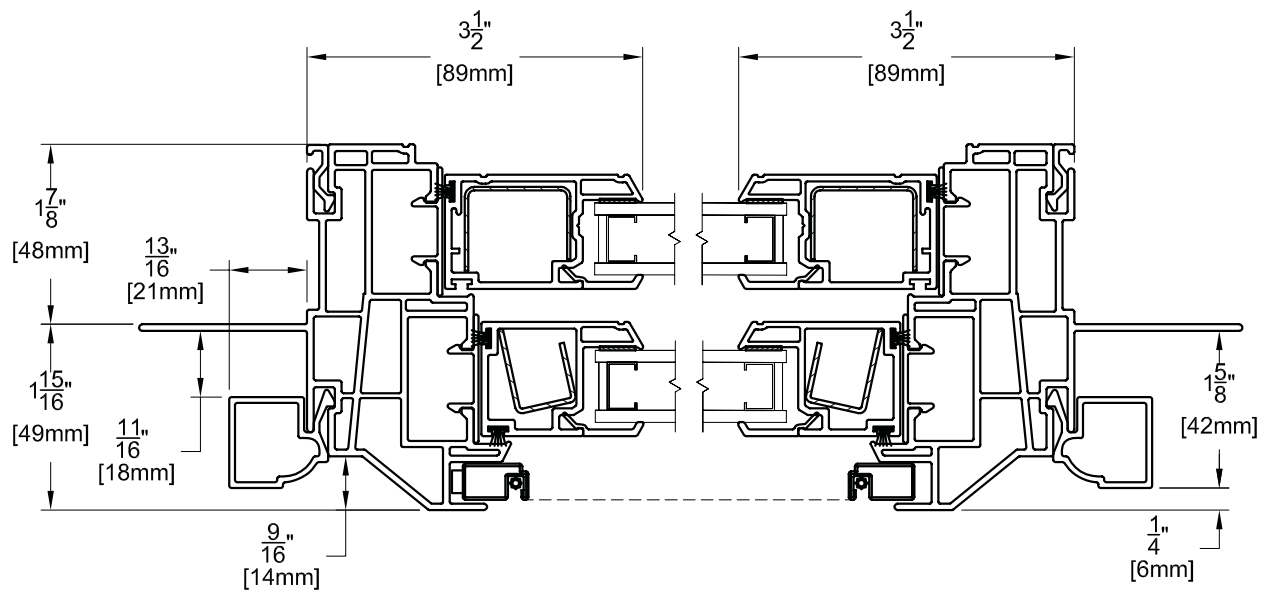
Scale: 6" = 1' (1/2 scale)

Due to continual product research and development, details may be changed at any time. ©2008
Products shown are not available at all locations – confirm availability with your local Milgard representative.

8225M Assembly Drawing:

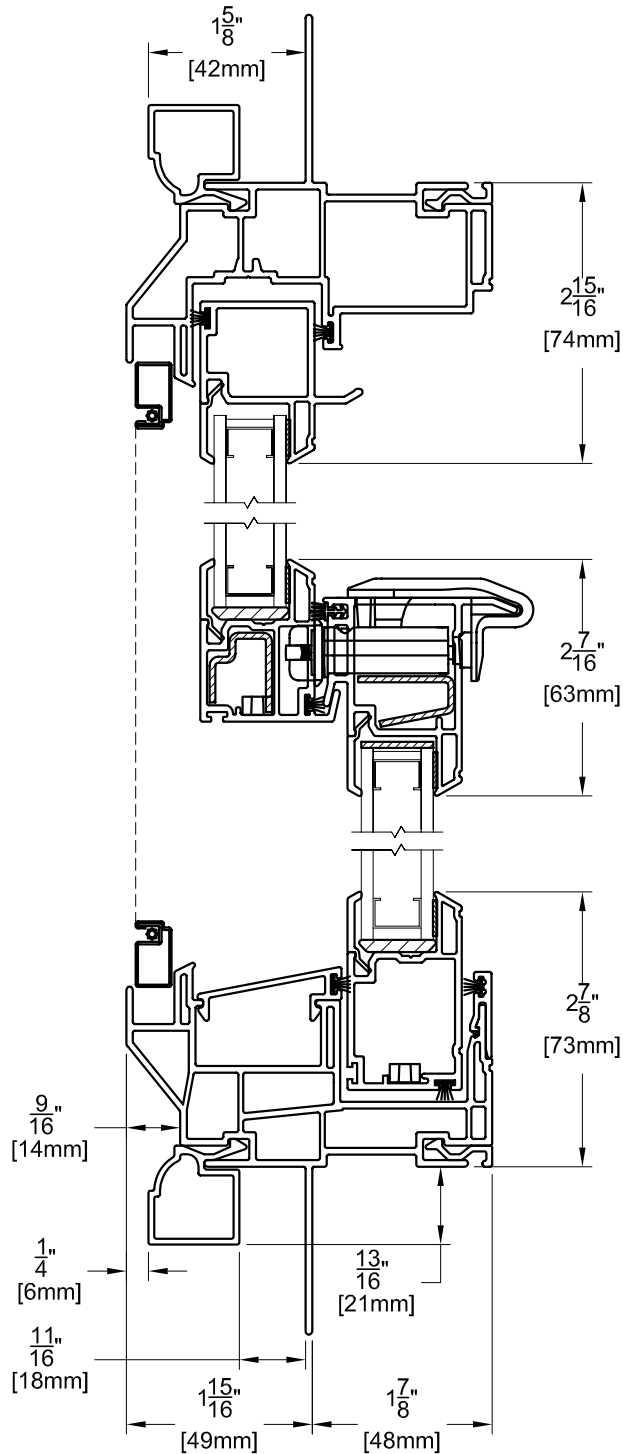
1-3/8 inch (35 mm) Nail Fin Setback, 2" (51 mm) Long Nail Fin with
Optional 1" (25 mm) Contoured J-Channel

Horizontal View



8225M Assembly Drawing:

1-3/8 inch (35 mm) Nail Fin Setback, 2" (51 mm) Long Nail Fin with
Optional 1" (25 mm) Contoured J-Channel



Vertical View

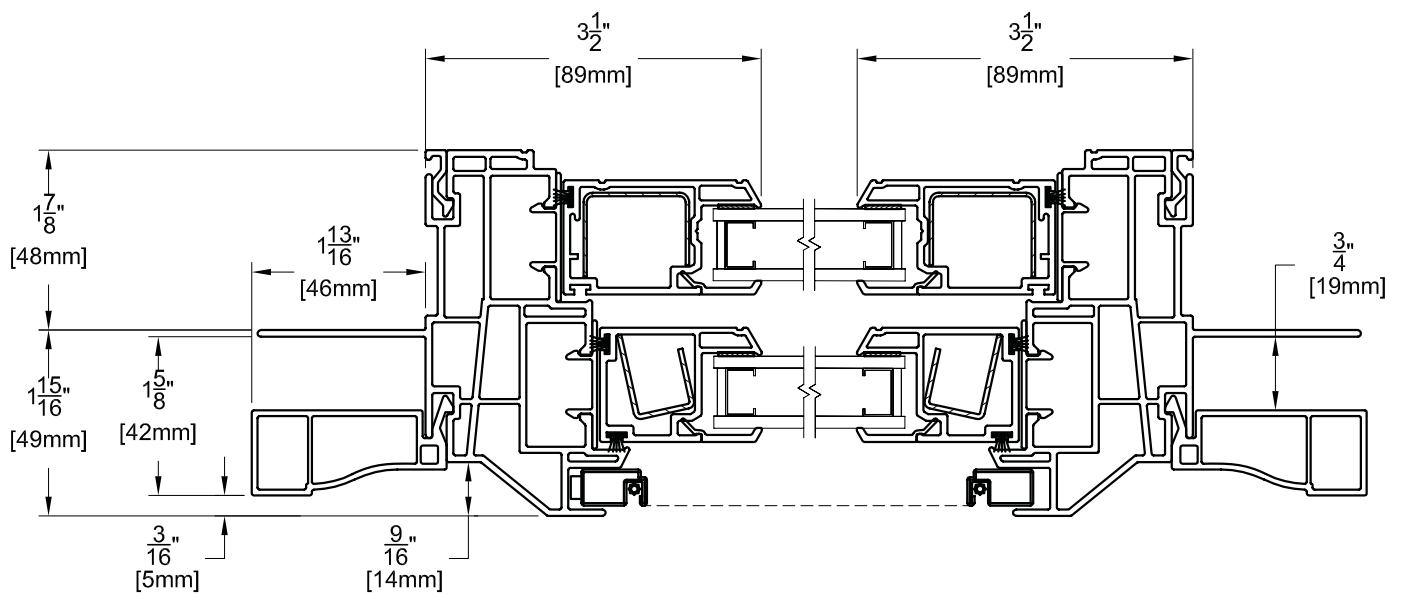
Scale: 6" = 1' (1/2 scale)

Due to continual product research and development, details may be changed at any time. ©2008
Products shown are not available at all locations – confirm availability with your local Milgard representative.

8225M Assembly Drawing:

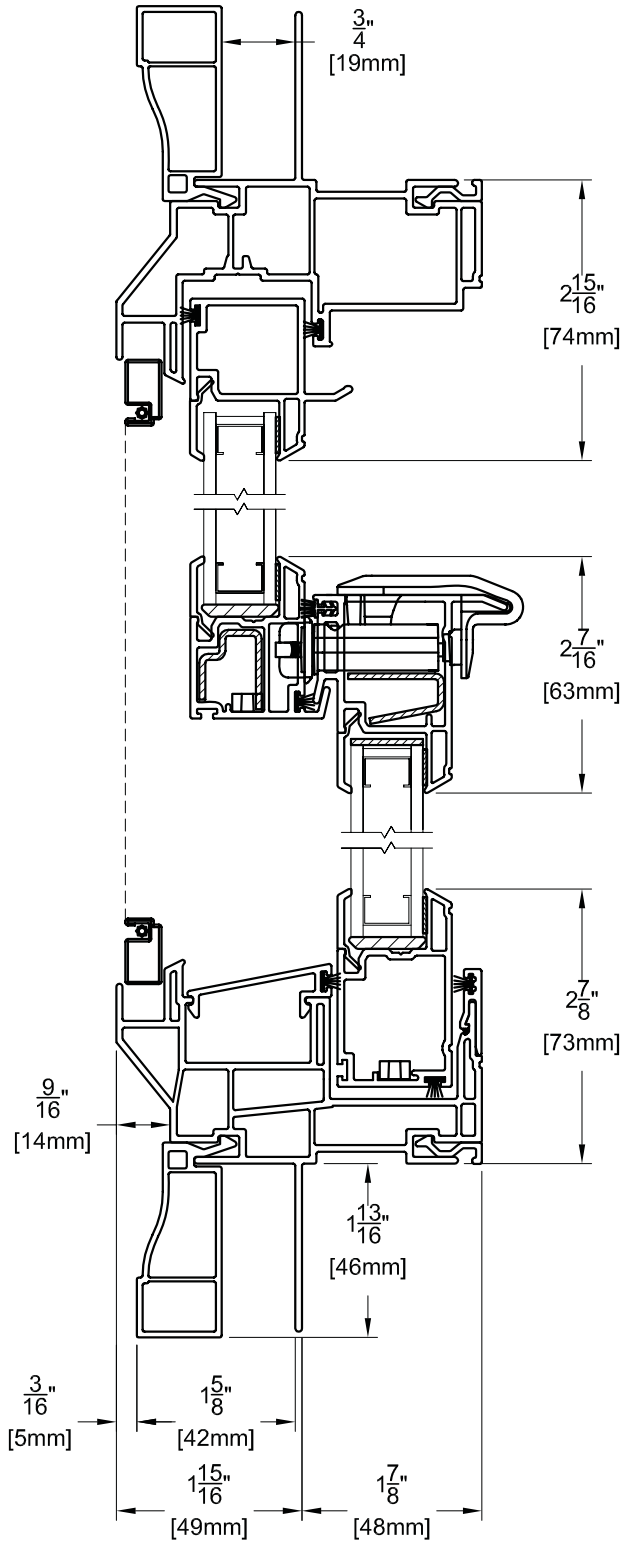
1-3/8" (35 mm) Nail Fin Setback, 2" (51 mm) Long Nail Fin with
Optional 2" (51 mm) Brickmold-style J-Channel

Horizontal View



8225M Assembly Drawing:

1-3/8" (35 mm) Nail Fin Setback, 2" (51 mm) Long Nail Fin with
Optional 2" (51 mm) Brickmold-style J-Channel



Vertical View

Scale: 6" = 1' (1/2 scale)

Due to continual product research and development, details may be changed at any time. ©2008
Products shown are not available at all locations – confirm availability with your local Milgard representative.