

# Cross Section Drawing

## Essence Full Casement Window 1 3/8" Fin Setback, 3 11/16" Wall Condition



Clearly the best.

CAD File Scale  
NTS

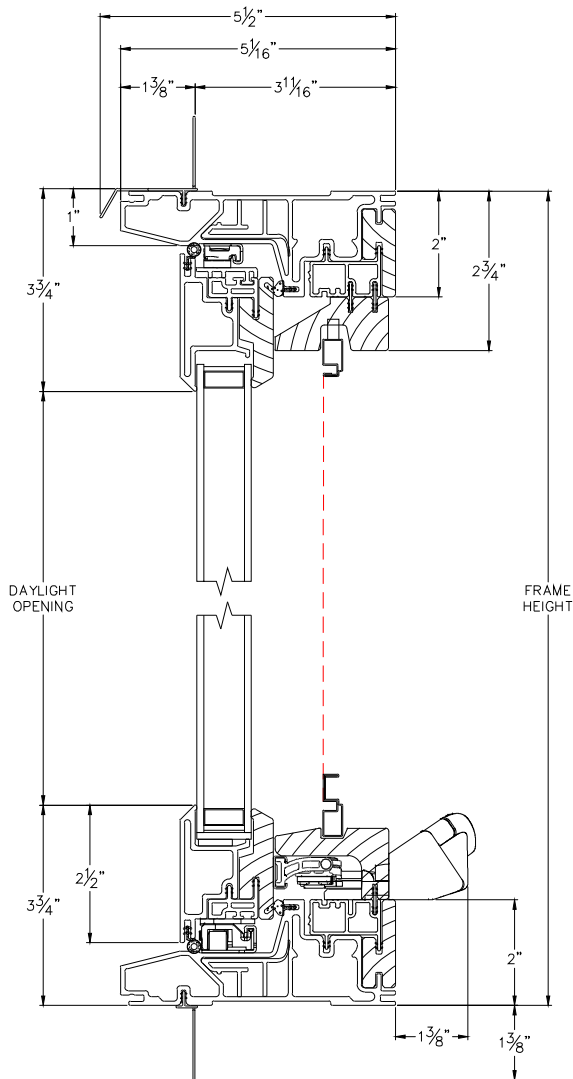
View  
Horizontal & Vertical

File Name  
9500-01E-01 FC

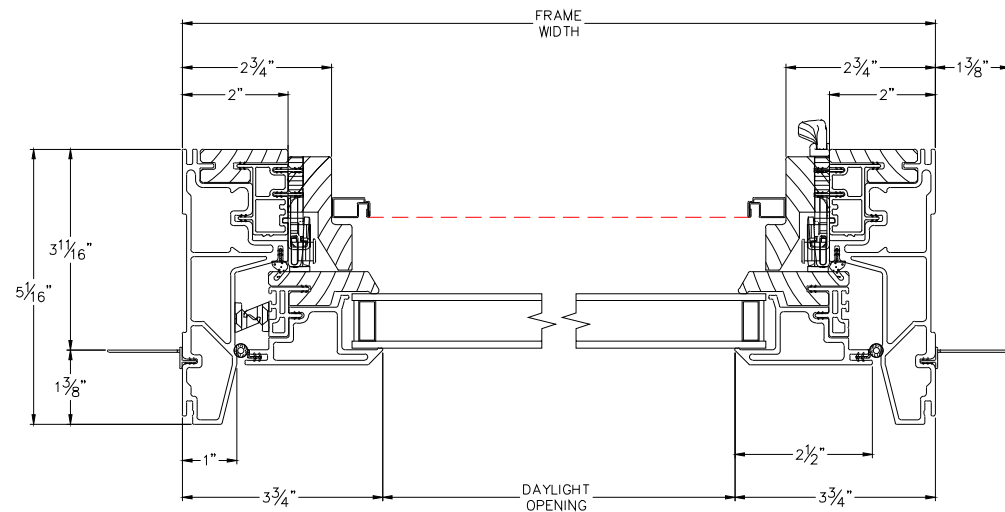
Units  
Inch

More Technical Documents can be found at [milgard.com/professionals](http://milgard.com/professionals)  
Due to continual research and development, details may be changed at any time. ©2013 Milgard Mfg.

### CASEMENT SERIES 9500



HEAD & SILL



JAMBS