

# Cross Section Drawing

## Ultra Full Casement Window 1 3/4" Contour Z-Bar



CAD File Scale  
NTS

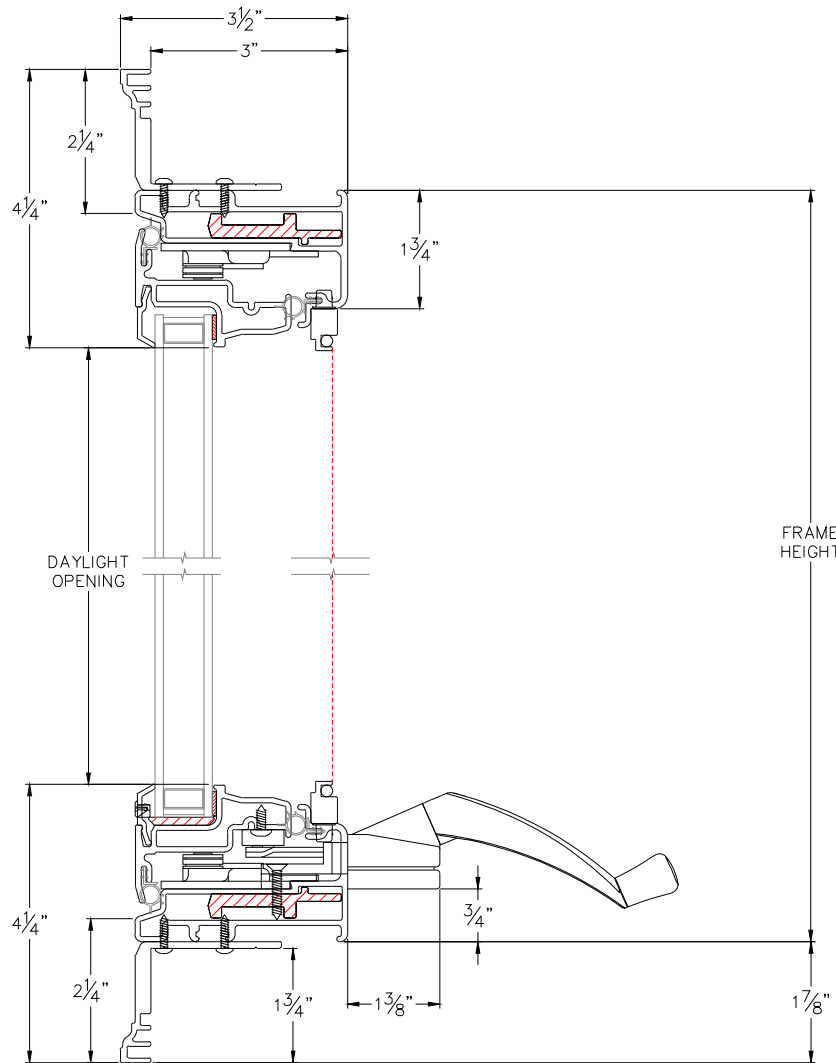
View  
Horizontal & Vertical

File Name  
3510U-04 FC

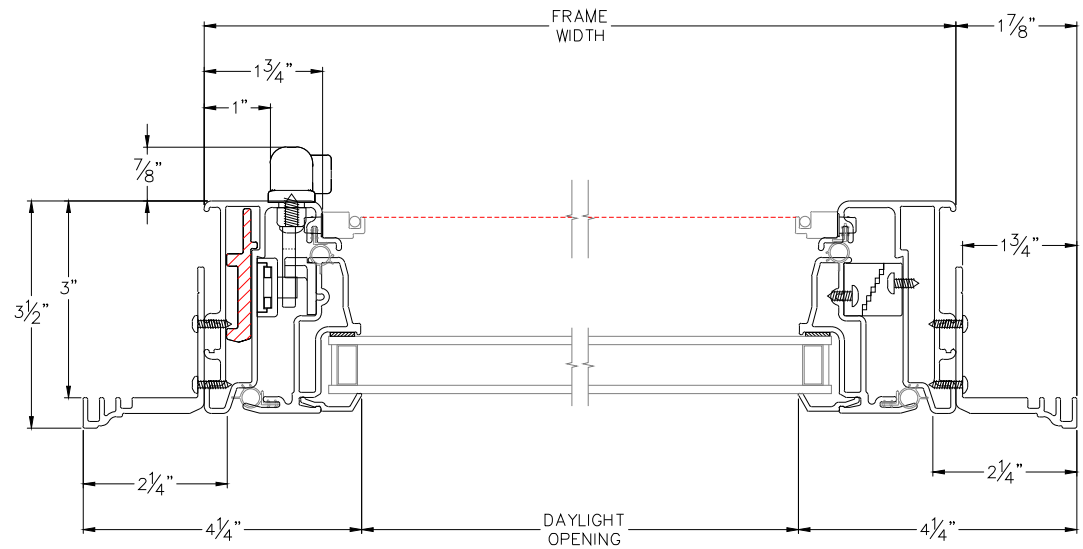
Units  
Inch

More Technical Documents can be found at [milgard.com/professionals](http://milgard.com/professionals)  
Due to continual research and development, details may be changed at any time. ©2013 Milgard Mfg.

### CASEMENT SERIES 3510



HEAD & SILL



JAMBS