



Clearly the best.™

Six Inch Sill Horn Transom Installation

Sill Horn



Sill Nose Instructions

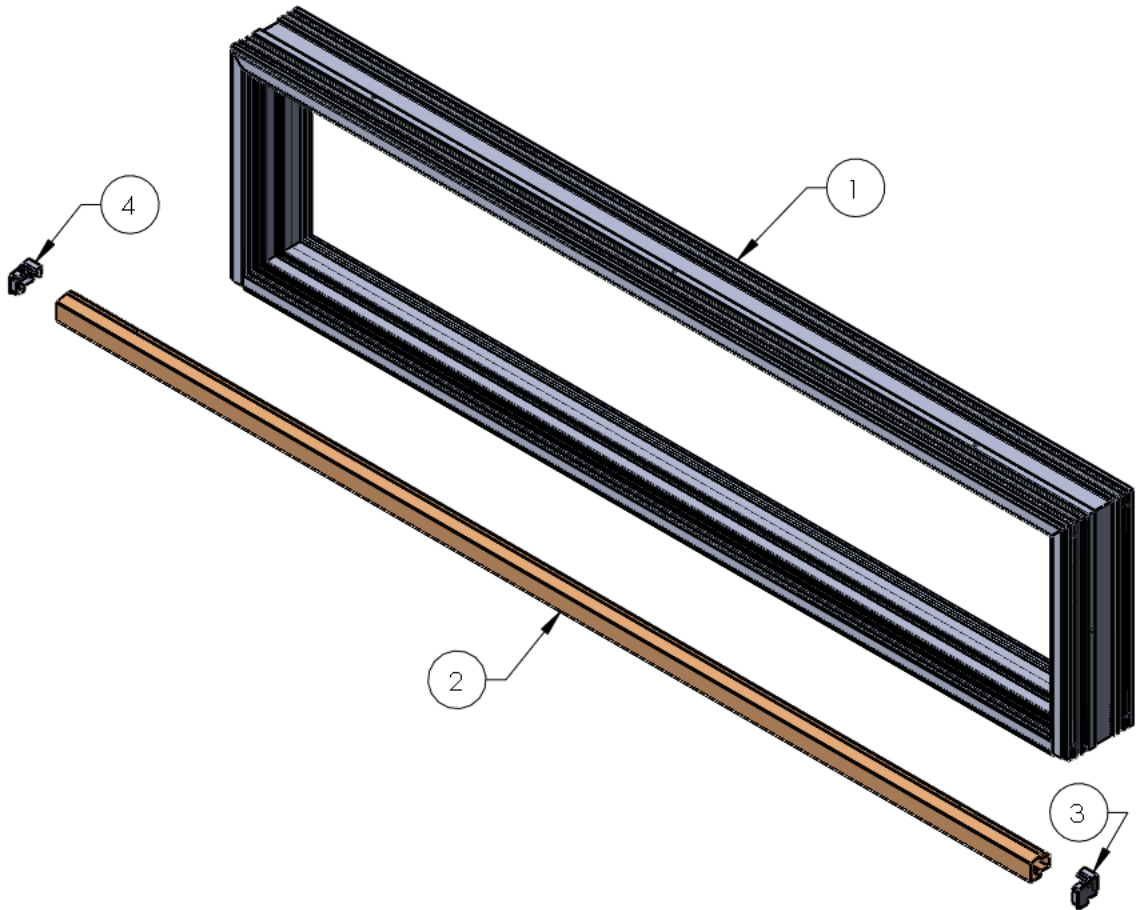


For Milgard Essence® Windows and Doors

- Install Transom per AAMA 2400-10 installation standard.
- Read Instructions from beginning to end before assembling or installing Sill Nose.
- Sill Nose is not compatible with other Milgard Transom or Transom offerings.
- Do not use Sill Nose on other manufacturers' products.
- Transom must be properly installed and flashed prior to Sill Nose installation.
- Milgard Sill Nose does not provide structural support or function as a water barrier.

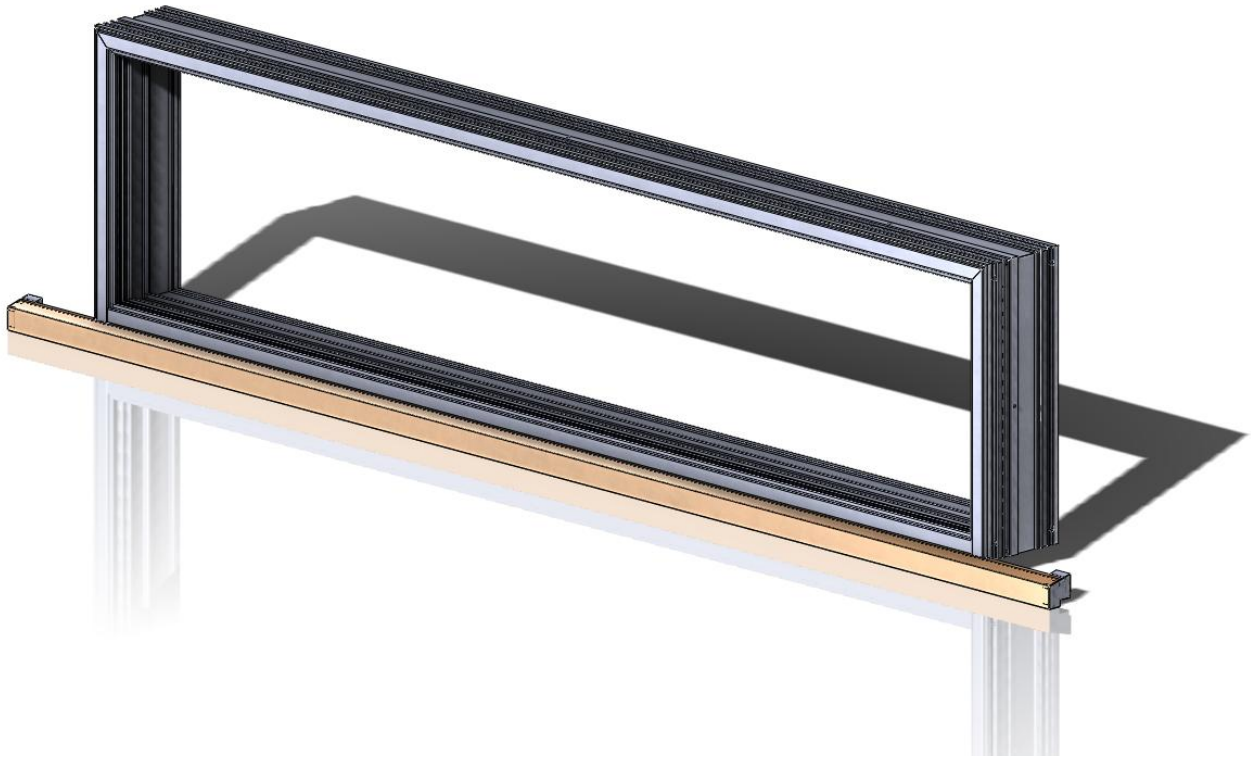
Sill Nose Parts

Sill Nose

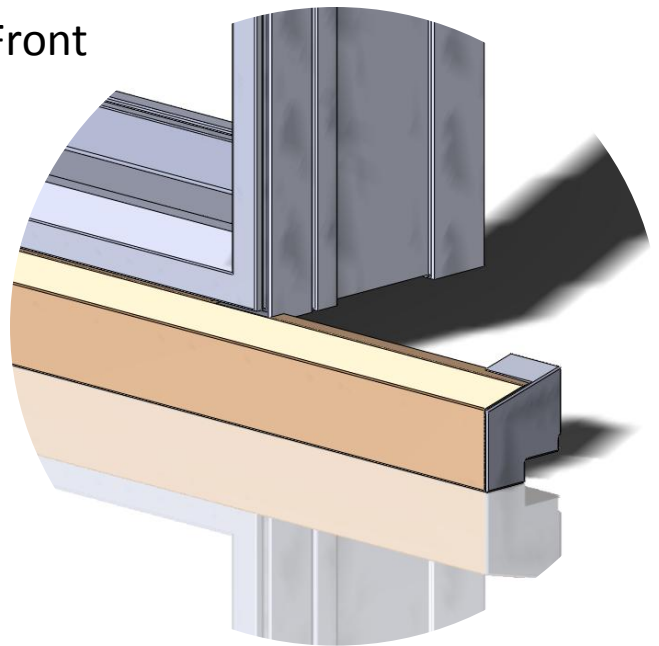
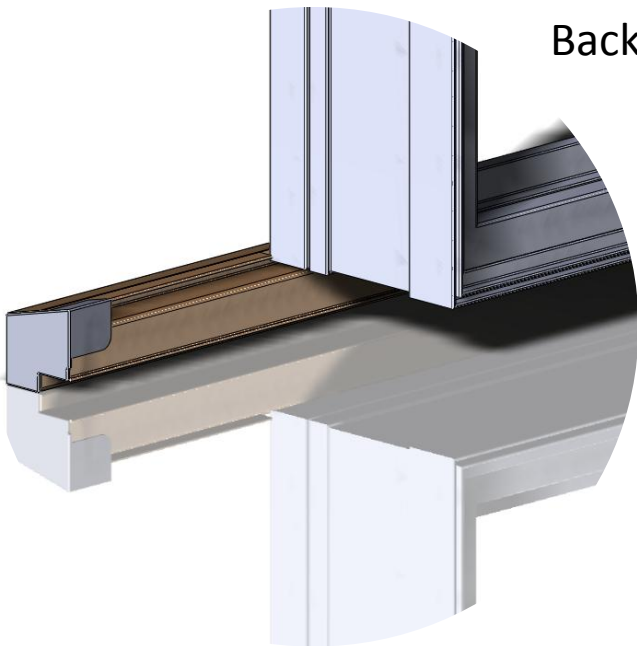


Part	Description	Part #
1	(Transom Frame)	Varies
2	Sill Nose	EX7819
3	End Cap – Sill Nose - Right	IM7976
4	End Cap – Sill Nose - Left	IM7977

Sill Nose Corners



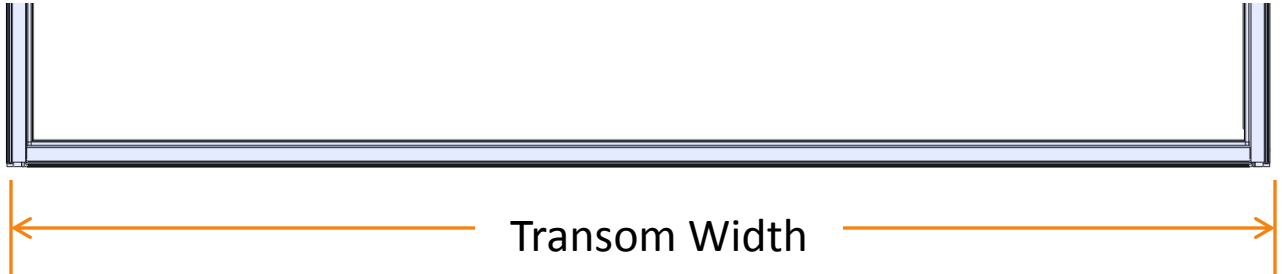
Bottom Sill Nose Flush
Back / Front



Determine Length of Sill Nose

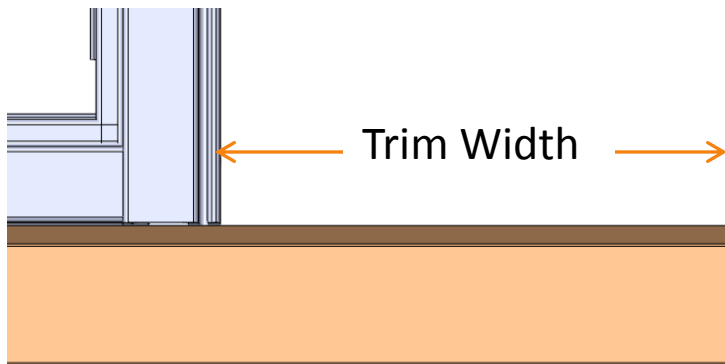
1

Measure Width of Transom Unit.



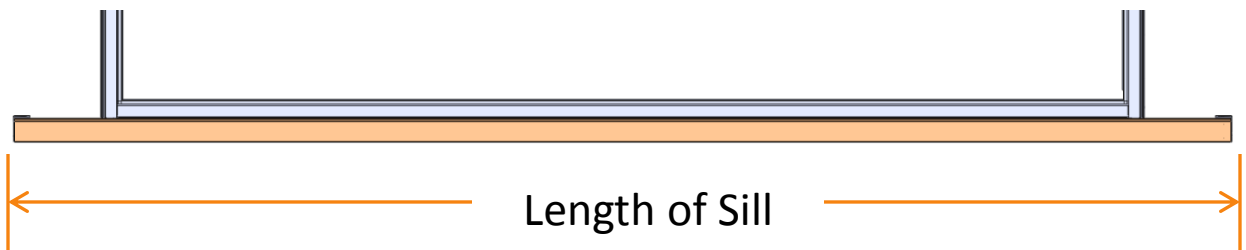
2

Determine how much Installer provided trim will extend from edge of Transom Frame.



3

Add twice the Trim Width to Transom Width to determine length of Sill. Also, add any additional length wanted for the Sill to extend beyond the Trim.



Note: The Sill End Caps will each add 1/16" to length of Sill, for a total of 1/8".

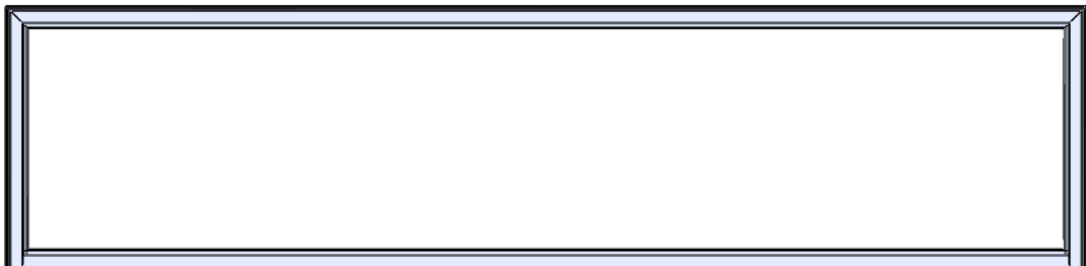
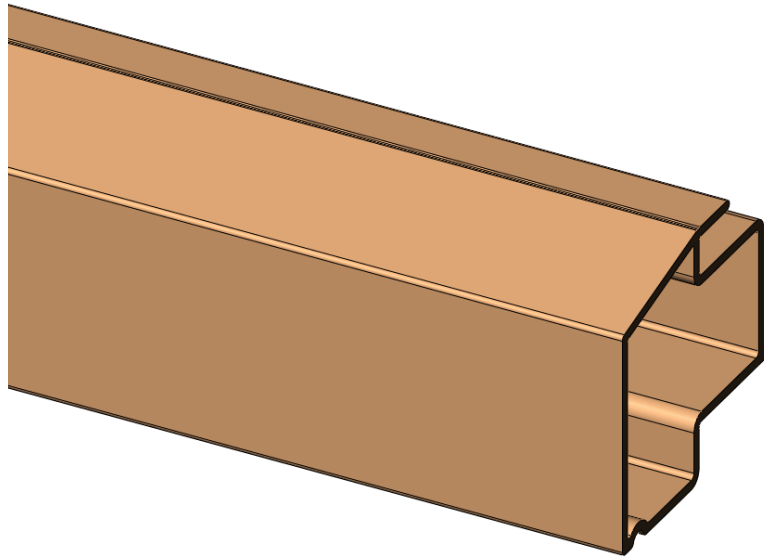
Cut Sill Nose

4

Use safe practices and a blade suitable for cutting Aluminum.

5

Cut Sill to length.



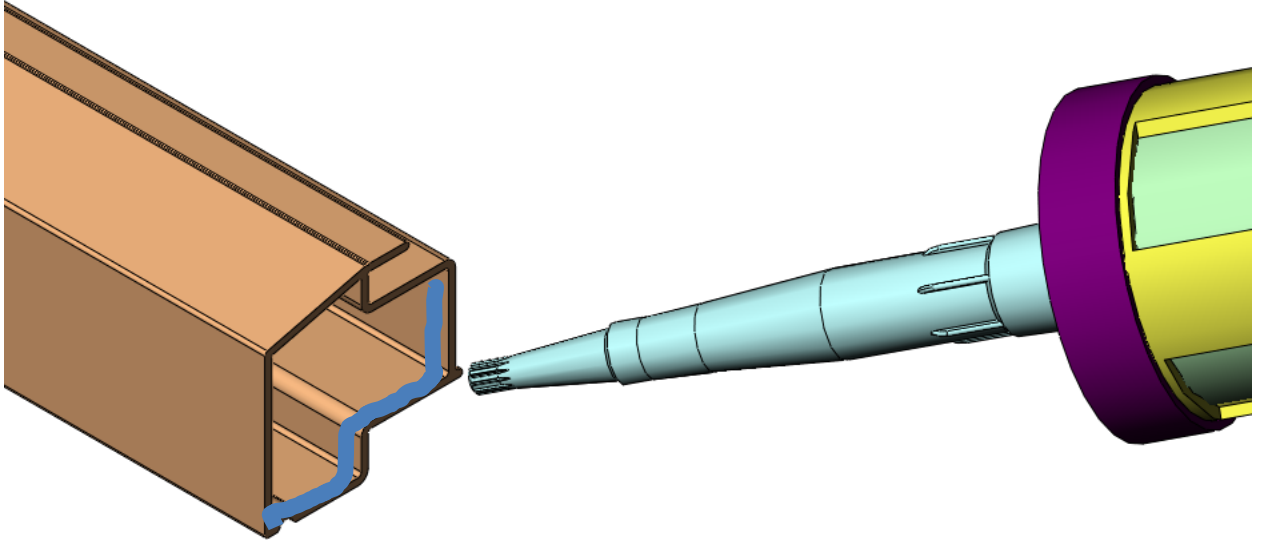
6

Trial fit Sill Nose into Transom Sill Accessory Groove, Sill Nose fits into Transom Frame up to Sill Groove.

End Cap Assembly

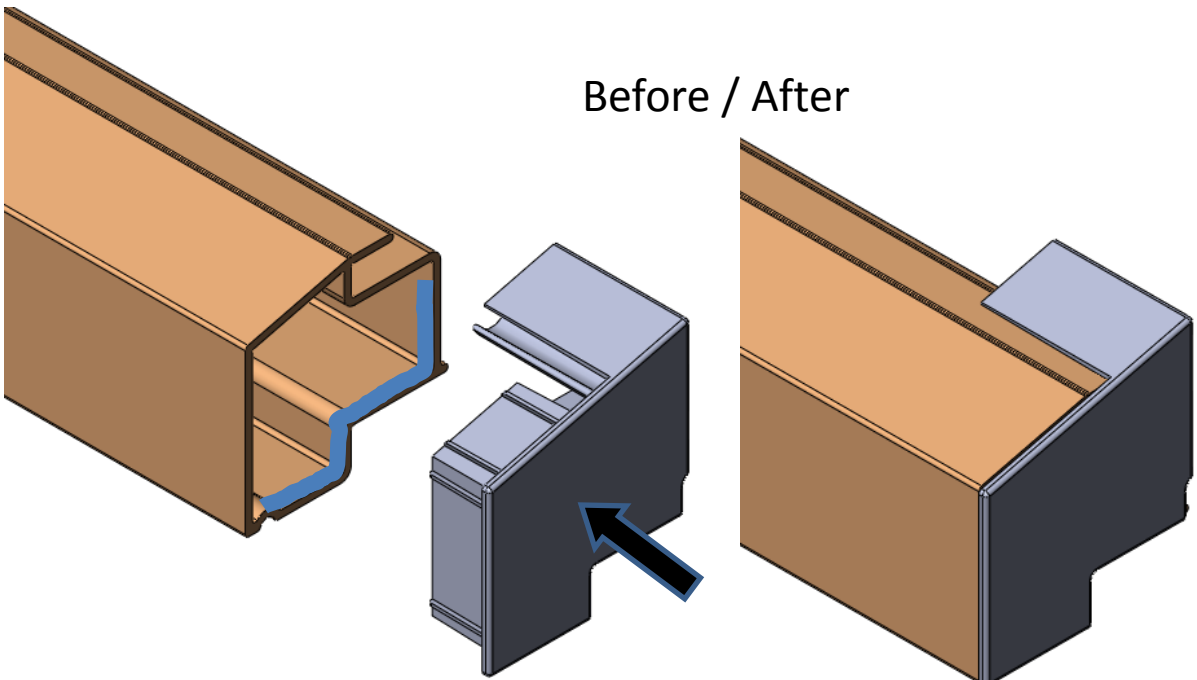
7

Caulk inside of Sill Nose on Both Ends.



8

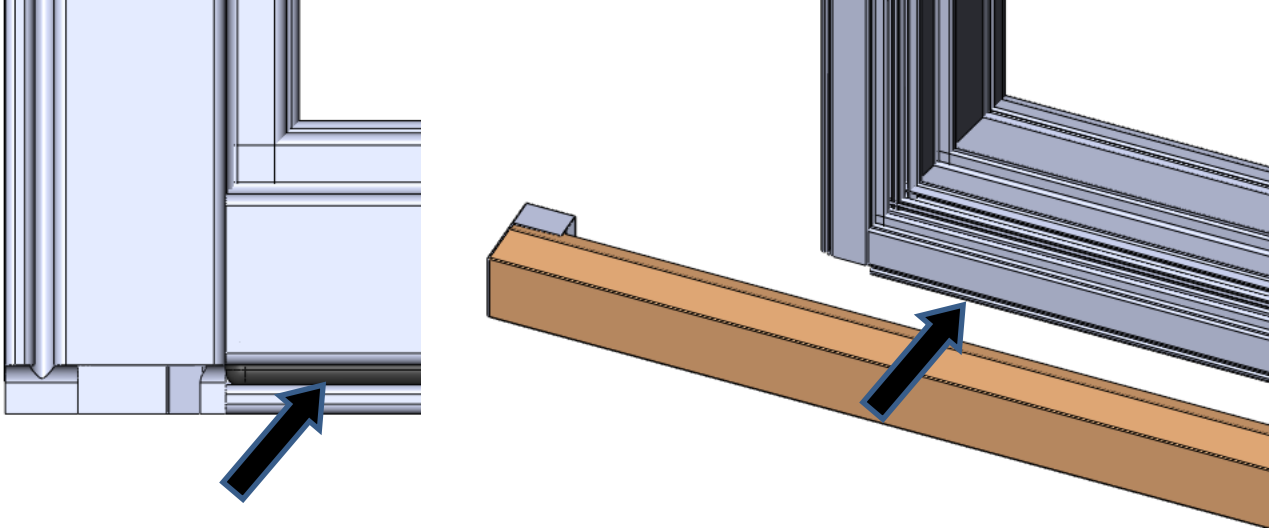
Seat End Caps into Sill Nose.



Sill Nose Installation

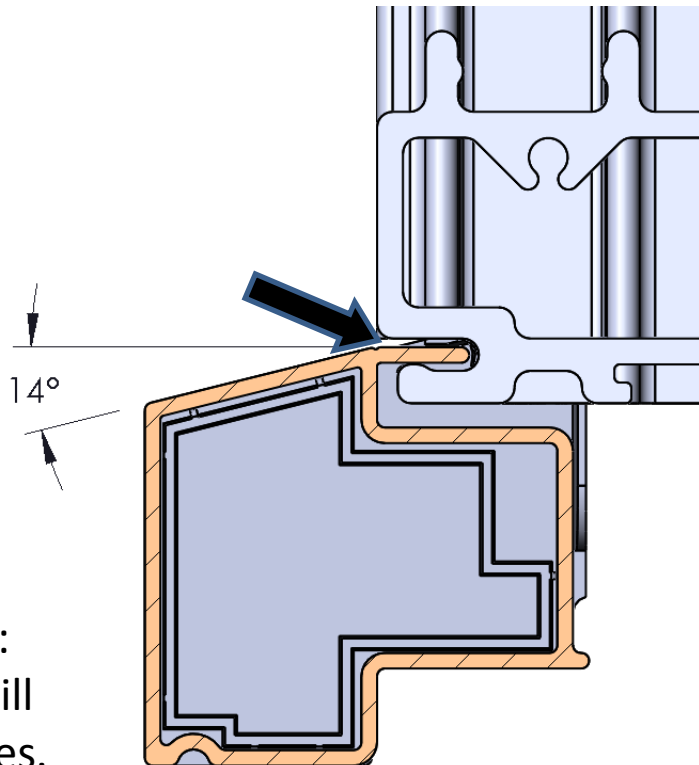
9

Place clear or color matched sealant into Accessory Groove along full length of sill.



10

Push Sill Nose into Transom Frame.



Note for Installer:
Angle on top of Sill
Nose is 14 Degrees.

Clean Up

- Wipe up any excess caulk.
- TiteBond® WeatherMaster Sealant compatible colors.

Essence Accessories Sealant			
Milgard Color	Milgard	TiteBond P/N	TiteBond Color
Bark	SE7673AR	44061	Bronze
Black Bean	SE7673BL	44031	Black
Cinnamon	SE7673CI	45521	Red
Classic Brown	SE7673LW	44211	Brown
Clear	SE7673CL	43991	Clear
Evening Sky	SE7673ES	45531	Blue
Fern	SE7673FN	45651	Green
Fog	SE7673FO	46681	Gray
Frost	SE7673FS	44001	White
Harmony	SE7673HR	44641	Clay
Natural Crème	SE7673NT	45511	Poplar White
Pea Pod	SE7673PP	49211	Green
Pebble	SE7673PE	46811	Gray
Rattan	SE7673RA	46081	Beige
Tweed	SE7673TE	44691	Clay
Twilight	SE7673BL	44031	Black