

Cross Section Drawing

Aluminum Picture Window, 3 Vertical Lites, 2 Horizontal Lites 1" Nailfin Setback Frame



Clearly the best.™

CAD File Scale
NTS

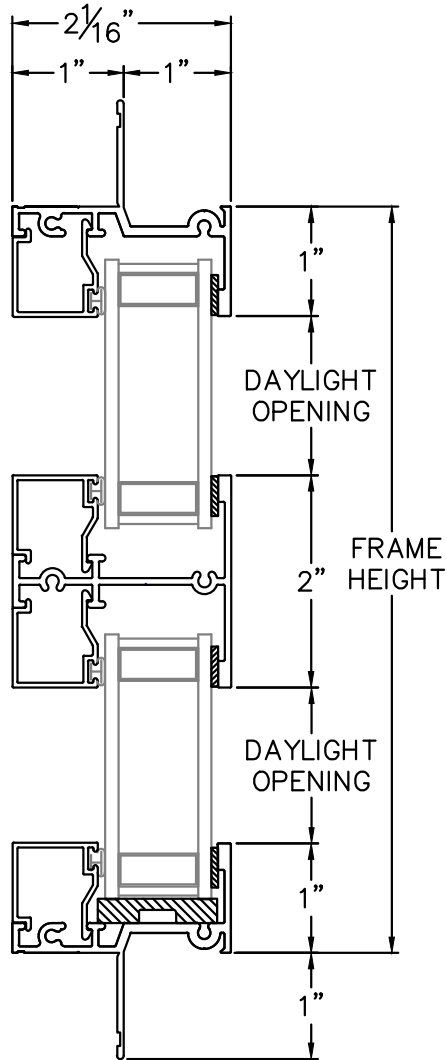
View
Horizontal & Vertical

File Name
Aluminum_710_PW3V2H_1in

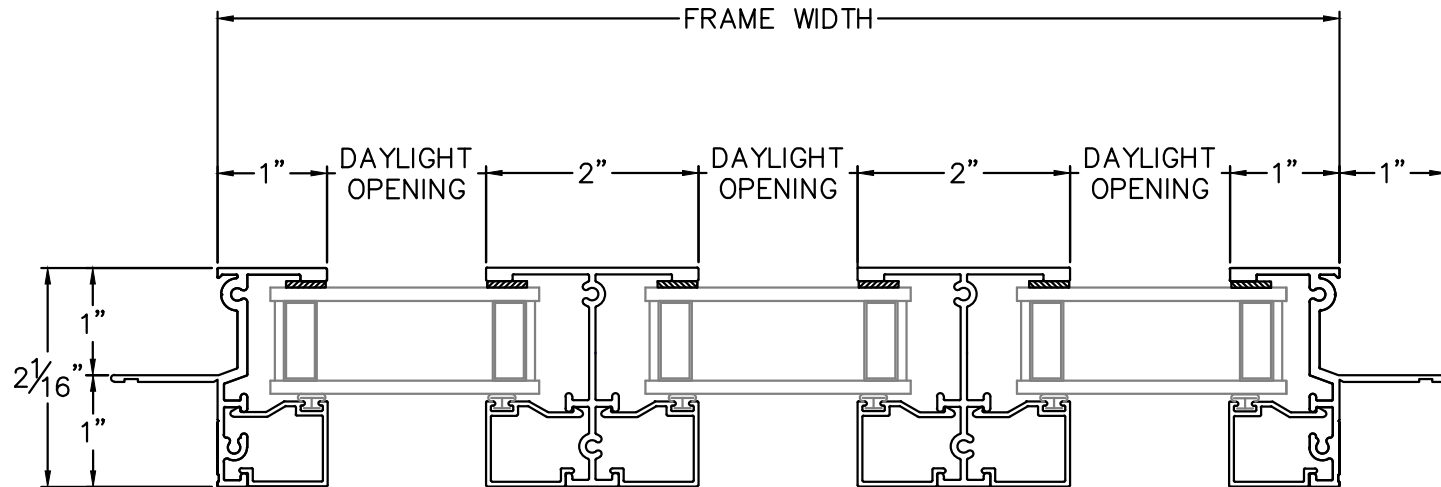
Units
Inch

More Technical Documents can be found at milgard.com/professionals
Due to continual research and development, details may be changed at any time. ©2013 Milgard Mfg.

PICTURE WINDOW SERIES 710



HEAD & SILL



JAMBS