

**Cross Section Drawing**  
**Aluminum Single Hung**  
**1" Nailfin Setback Frame**



CAD File Scale  
 NTS

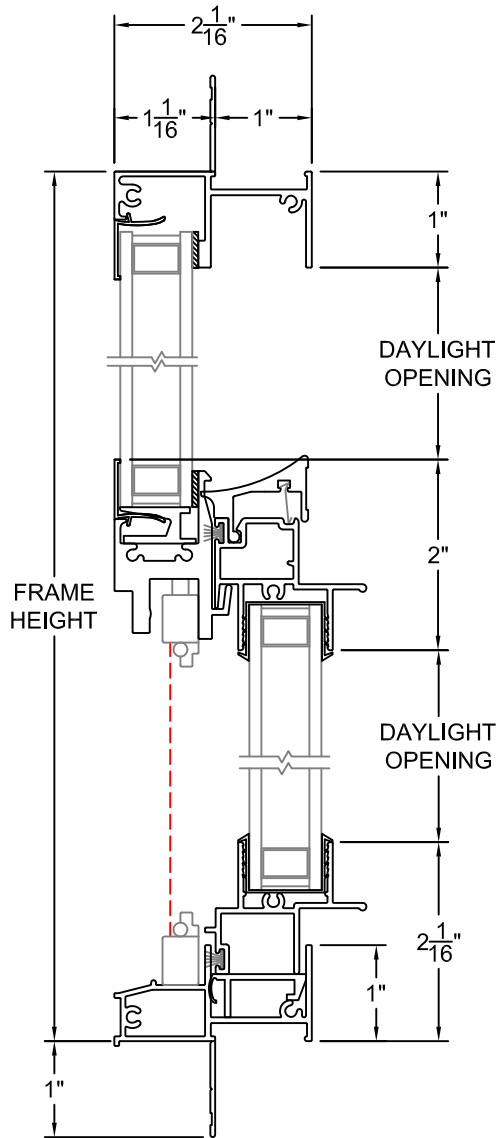
View  
 Horizontal & Vertical

File Name  
 Aluminum\_1510C\_SHA\_1in

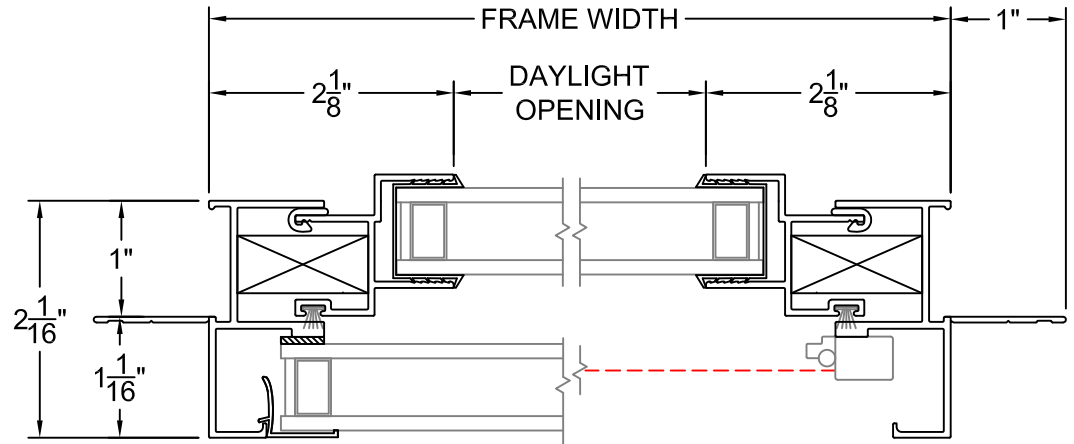
Units  
 Inch

More Technical Documents can be found at [milgard.com/professionals](http://milgard.com/professionals)  
 Due to continual research and development, details may be changed at any time. ©2013 Milgard Mfg.

**SINGLE HUNG**  
**SERIES 1510C**



**HEAD & SILL**



**JAMBS**