

# Cross Section Drawing

## Aluminum Full Awning Window 1 1/16" Nailfin Setback Frame



Clearly the best.™

CAD File Scale  
NTS

View  
Horizontal & Vertical

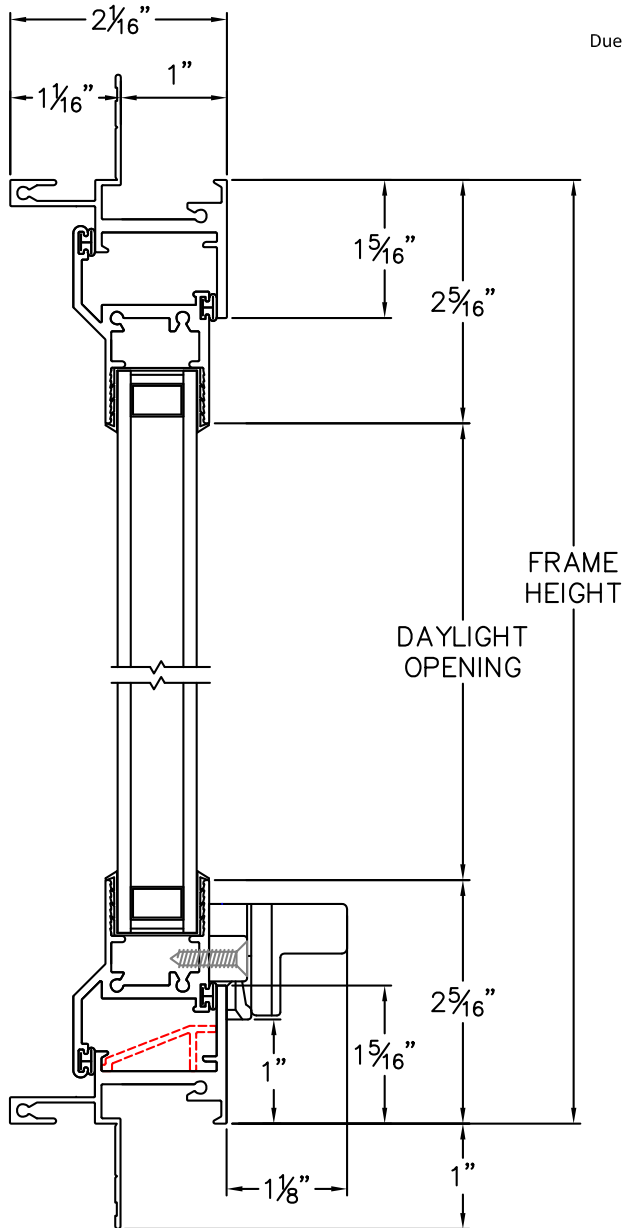
File Name  
Aluminum\_910C\_FA\_1in\_push-open

Units  
Inch

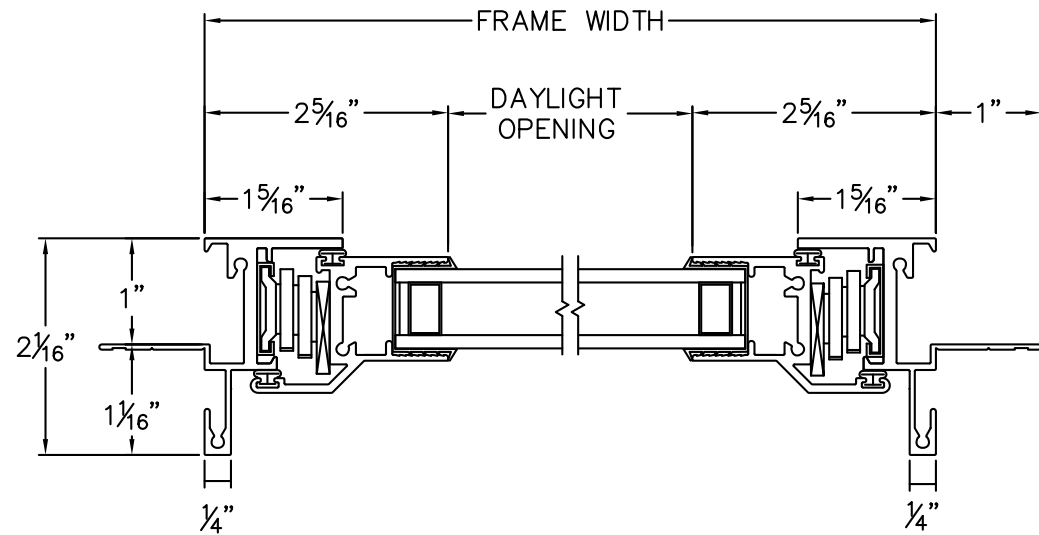
More Technical Documents can be found at [milgard.com/professionals](http://milgard.com/professionals)

Due to continual research and development, details may be changed at any time. ©2013 Milgard Mfg.

### FULL AWNING - PUSH OPEN SERIES 910C



HEAD & SILL



JAMBS