

**Cross Section Drawing**  
**Aluminum Triple Awning Window**  
**1 1/16" Nailfin Setback Frame**



CAD File Scale  
NTS

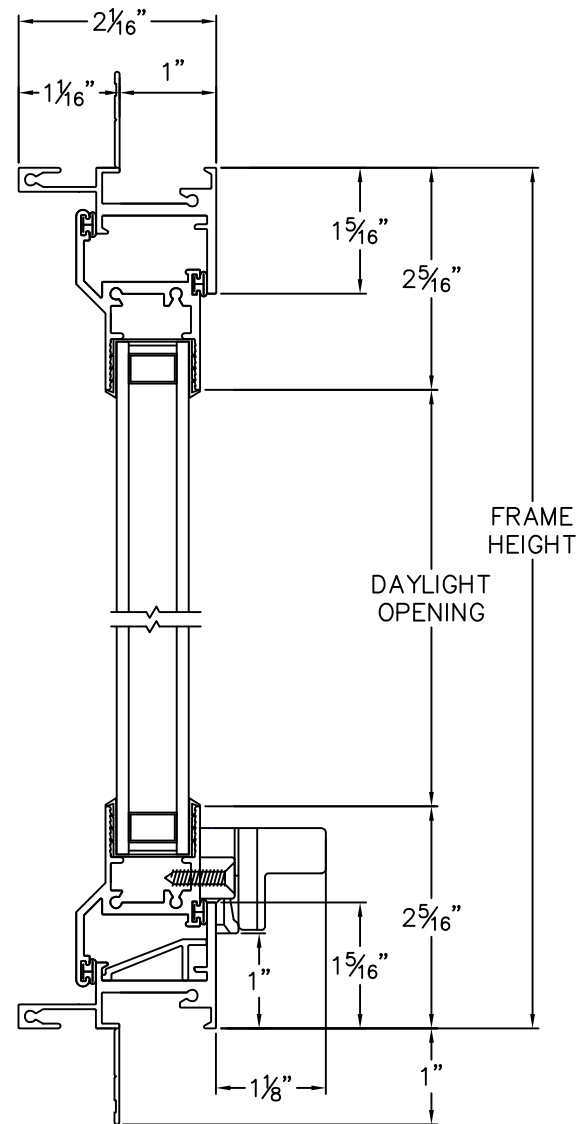
View  
Horizontal & Vertical

File Name  
Aluminum\_910C\_Triple\_Awning\_push-open

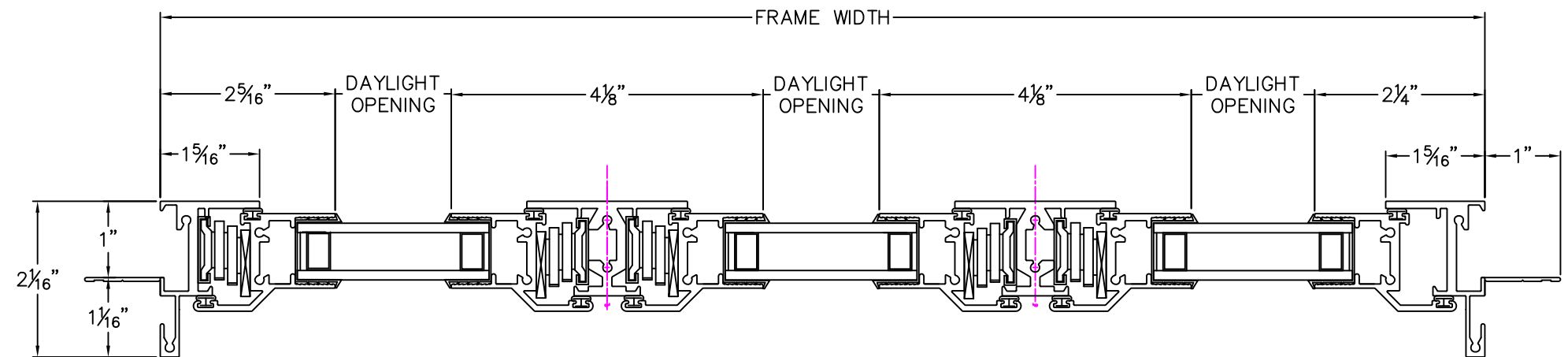
Units  
Inch

More Technical Documents can be found at [milgard.com/professionals](http://milgard.com/professionals)  
 Due to continual research and development, details may be changed at any time. ©2013 Milgard Mfg.

**AWNING - PUSH OPEN**  
**SERIES 910C**



HEAD & SILL



JAMBS