

Cross Section Drawing

Aluminum Full Awning Stacked 3 Vertically 1 3/8" Fin Setback



Clearly the best.™

CAD File Scale
NTS

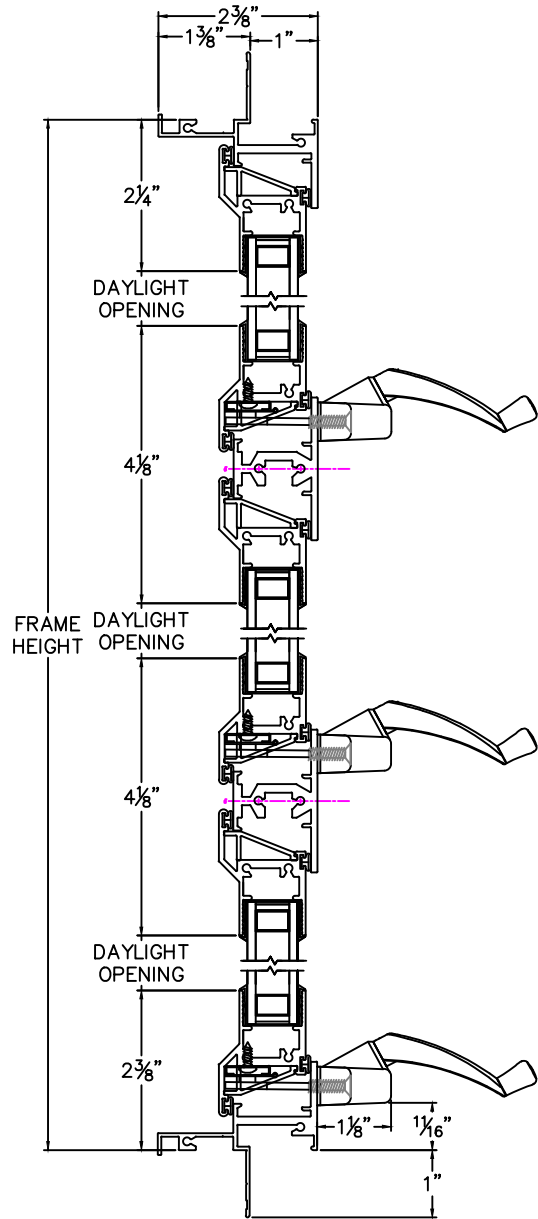
View
Horizontal & Vertical

File Name
Aluminum_910S_FAS3V_1.375in_crank_open

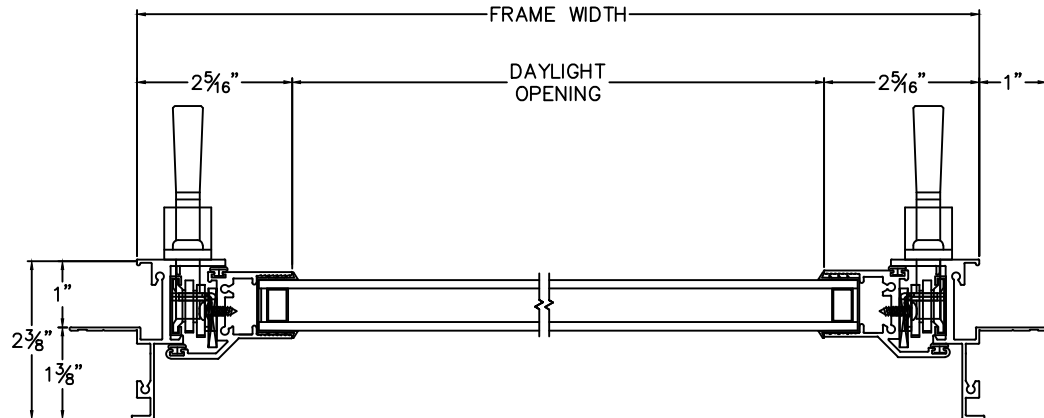
Units
Inch

More Technical Documents can be found at milgard.com/professionals
Due to continual research and development, details may be changed at any time. ©2013 Milgard Mfg.

AWNING - CRANK OPEN SERIES 910S



HEAD & SILL



JAMBS